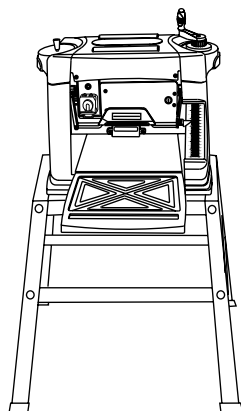


HITACHI

Model
Modelo
Модель

P 13F

Planer
Сепилadora
Продольно-строгальный станок



INSTRUCTION MANUAL AND SAFETY INSTRUCTIONS

WARNING

Improper and unsafe use of this power tool can result in death or serious bodily injury!
This manual contains important information about product safety. Please read and understand this manual before operating the power tool. Please keep this manual available for others before they use the power tool.

MANUAL DE INSTRUCCIONES E INSTRUCCIONES DE SEGURIDAD

ADVERTENCIA

¡ La utilización inapropiada e insegura de esta herramienta eléctrica puede resultar en lesiones serias o en la muerte!
Este manual contiene información importante sobre la seguridad del producto. Lea y comprenda este manual antes de utilizar la herramienta eléctrica. Guarde este manual para que puedan leerlo otras personas antes de que utilicen la herramienta eléctrica.

РУКОВОДСТВО ПО ЭКСПЛУАТАЦИИ И ПРАВИЛА ТЕХНИКИ БЕЗОПАСНОСТИ

ПРЕДОСТЕРЕЖЕНИЕ

Неправильное использование станка может привести к серьезным травмам или смертельному исходу!
Настоящее руководство содержит важную информацию относительно мер безопасности при работе с изделием. Перед началом работы на станке необходимо прочитать и усвоить положения данного руководства. Данное руководство следует хранить в доступном месте для ознакомления перед началом работ.

CONTENTS

English

SECTION	PAGE	SECTION	PAGE
Product Specifications	3	Know Your Planer	10
Power Tool Safety	4	Assembly and Adjustments	11
Planer Safety	5	Operation	14
Electrical Requirements and Safety	7	Maintenance	17
Accessories and Attachments	8	Troubleshooting Guide	18
Carton Contents	8	Parts List	54

ÍNDICE

Español

SECCIÓN	PÁGINA	SECCIÓN	PÁGINA
Especificaciones del producto	20	Conozca su sierra de mesa	27
Seguridad de la herramienta eléctrica	21	Montaje y ajustes	28
Instrucciones De Seguridad Específicas Para La Cepilladora..	22	Funcionamiento	31
Requisitos eléctricos y seguridad	24	Mantenimiento	34
Accesorios	25	Guía de solución de problemas	35
Contenido de la caja	25	Lista de piezas	54

СОДЕРЖАНИЕ

Русско

РАЗДЕЛ	СТР.	РАЗДЕЛ	СТР.
Технические характеристики.....	37	Устройство строгального станка.....	44
Правила безопасности при работе с электроинструментом....	38	Сборка и регулировка	45
Правила безопасности при работе со строгальным станком..	39	Эксплуатация	48
Электротехнические требования и техника безопасности.....	40	Техническое обслуживание	51
Вспомогательные устройства и приспособления.....	42	Неисправности и методы их устранения	52
Комплектность упаковки.....	42	Перечень запасных частей	54

⚠ WARNING

Some dust created by power sanding, sawing, grinding, drilling and other construction activities contains chemicals known to the state of California to cause cancer, birth defects or other reproductive harm. Some examples of these chemicals are:

- Lead based paints
- Crystalline silica from bricks, cement and other masonry products
- Arsenic and chromium from chemically treated lumber

Your risk from these exposures varies, depending on how often you do this type of work. To reduce your exposure to these chemicals, work in a well-ventilated area and work with approved safety equipment, such as dust masks that are specially designed to filter out microscopic particles.

PRODUCT SPECIFICATIONS

13" (330mm) PLANER

Voltage	230V / 50Hz
Watts	1800W
Amps	8A (230V)
Max cutting width.....	13" (330mm)
Thickness of cut.....	Min. 1/8" (3.2mm)
Maximum depth of cut.....	3/32" (2.4mm)
Feed speed.....	0.12 m/s
Number of blade.....	2
No load Speed.....	9,250min ⁻¹
Weight.....	101.4 lbs (46kg)

The noise levels of this machine during operating are as follows:

maximum sound pressure level: 100.2 dB(A)

maximum sound power level: 112 dB(A)

⚠ WARNING

To avoid electrical hazards, fire hazards or damage to the planer, use proper circuit protection. This planer is wired at the factory for 230 Volt operation. It must be connected to a 230 Volt / 8 Ampere time delay fuse or circuit breaker. To avoid shock or fire, replace power cord immediately if it is worn, cut or damaged in any way.

Before using your planer, it is critical that you read and understand these safety rules. Failure to follow these rules could result in serious injury to you or damage to the planer.



Wear safety goggles
Wear ear protection
Wear a breathing mask

⚠ WARNING

Noise can be a health hazard. When the noise level exceeds 85dB(A), be sure to wear ear protection.

ENVIRONMENTAL PROTECTION



Recycle unwanted materials instead of disposing of them as waste. All tools, hoses and packaging should be sorted, taken to the local recycling center and disposed of in an environmentally safe way.

POWER TOOL SAFETY

Safety is a combination of common sense, staying alert and knowing how your planer works.

WARNING

TO AVOID MISTAKES THAT COULD CAUSE SERIOUS INJURY, DO NOT PLUG IN THE PLANER UNTIL THE FOLLOWING STEPS HAVE BEEN READ AND UNDERSTOOD.

1. **READ** and become familiar with this entire Operator's Manual. **LEARN** the tool's applications, limitations and possible hazards.
2. **AVOID DANGEROUS CONDITIONS. DO NOT** use power tools in wet or damp areas or expose them to rain. Keep work areas well-lit.
3. **DO NOT** use power tools in the presence of flammable liquids or gases.
4. **ALWAYS** keep your work area clean, uncluttered, and well-lit. **DO NOT** work on floor surfaces that are slippery with sawdust or wax.
5. **KEEP BYSTANDERS AT A SAFE DISTANCE FROM** the work area, especially when the tool is operating. **NEVER** allow children near the tool.
6. **DO NOT FORCE THE TOOL** to do a job for which it was not designed.
7. **DRESS FOR SAFETY. DO NOT** wear loose clothing, gloves, neckties, or jewellery (rings, watches) when operating the tool. They can get caught and draw you into moving parts. **ALWAYS** wear non-slip footwear, and tie back long hair.
8. **WEAR A FACE MASK OR DUST MASK.** Tool operation produces dust.
9. **ALWAYS** remove the power cord plug from the electrical source when making adjustments, changing parts, cleaning or working on the tool.
10. **KEEP GUARDS IN PLACE AND IN WORKING ORDER.**
11. **AVOID ACCIDENTAL START-UPS.** Make sure the power switch is in the **OFF** position before plugging in the power cord.
12. **REMOVE ADJUSTING TOOLS. ALWAYS MAKE SURE** all tools are removed from the planer before turning it on.
13. **NEVER LEAVE TOOL ON WHILE UNATTENDED.** Turn the power switch to **OFF**. **DO NOT** leave the tool until it has come to a complete stop.
14. **NEVER STAND ON THE TOOL.** Serious injury could result if the tool tips or is accidentally hit. **DO NOT** store anything above or near the tool.
15. **DON'T OVERREACH.** Keep proper footing and balance at all times. Wear oil-resistant rubber-soled footwear. Keep the floor clear of oil, scrap, and other debris.
16. **NEVER LEAVE TOOL RUNNING UNATTENDED. TURN THE POWER OFF.** Do not leave the tool before the blade comes to a complete stop.
17. **MAINTAIN TOOLS PROPERLY. ALWAYS** keep tools clean and in good working order. Follow instructions for lubricating and changing accessories.
18. **CHECK FOR DAMAGED PARTS.** Check moving parts for alignment, jamming, breakage, improper mounting, or any other condition that may affect the tool's operation. Any part that is damaged should be properly repaired or replaced before use.
19. **MAKE THE WORKSHOP CHILDPROOF.** Use padlocks, master switches, and **ALWAYS** remove starter keys.
20. **DO NOT** operate the tool if you are under the influence of drugs, alcohol or medication that could affect your ability to use the tool properly.
21. **WHEN SERVICING USE ONLY IDENTICAL REPLACEMENT PARTS.**

WARNING

DUST GENERATED FROM CERTAIN MATERIALS CAN BE HAZARDOUS TO YOUR HEALTH. ALWAYS OPERATE THE PLANER IN A WELL-VENTILATED AREA AND PROVIDE FOR PROPER DUST REMOVAL. USE DUST COLLECTION SYSTEMS WHENEVER POSSIBLE.

PLANER SAFETY

BEFORE USING THE PLANER

WARNING

TO AVOID MISTAKES THAT COULD CAUSE SERIOUS, PERMANENT INJURY, DO NOT PLUG IN THE PLANER UNTIL THE FOLLOWING STEPS HAVE BEEN READ AND UNDERSTOOD.

1. Your planer comes completely assembled. The only assembly required is the cutterhead depth adjustment handle. Mount your planer to a work bench or an adequate surface.
2. Learn to use the function of the ON/OFF switch, elevation handle, cutterhead guard, outfeed table, infeed table and push blocks.
3. Review and understand all safety instructions and operating procedures in this instruction manual.
4. Review the maintenance methods for this planer.
5. Find and read all the warning labels found on the planer:
 - Read manual before using planer.
 - Wear safety goggles.
 - Never perform planing operation with cutterhead guard or belt guard removed.
 - Never make planing cuts greater than 1/32" (0.8 mm).
 - Never perform planing cuts on workpieces shorter than 14" (35.6 cm) in length.
 - Turn power OFF, wait for blade to stop and remove power cord from power source before adjusting or servicing.

WHEN INSTALLING OR MOVING THE PLANER

1. **AVOID A DANGEROUS ENVIRONMENT:**
 - Use the planer in a dry, indoor place protected from rain.
 - Keep work area well-lit.
2. **TO AVOID INJURY FROM UNEXPECTED PLANER MOVEMENT:**
 - Bolt or clamp the planer to a firm level surface where there is plenty of room to move the workpiece through the entire cut.
 - Support the planer so the tables are level and planer does not rock.
 - Put the planer where operators nor bystanders will stand in line with the wood while planing.
 - To avoid injury from electrical shock, make sure your fingers do not touch the plug's metal prongs when plugging in or unplugging the planer.
 - Turn OFF and unplug the planer before moving it to a new area. To avoid back injury, get help when you need to lift the planer.

- Bolt the planer to the floor if it tends to move when planing long, heavy boards.
- **DO NOT STAND ON THE PLANER.** Do not store materials above or near it. Standing on the tool to reach materials could result in serious injury if it tips or is accidentally contacted.

BEFORE EACH USE

1. INSPECT YOUR PLANER:

- If any part is missing, bent or broken in any way, or any electrical part does not work properly, turn the planer OFF and unplug the planer.
- Replace damaged or missing parts before using the planer.
- Make sure the cutterhead turns in the right direction. They should move toward the infeed table.

2. AVOID INJURY FROM JAMS, SLIPS OR THROWN PLECES (KICKBACKS):

- Use this planer only for wood or similar materials.
- Plan your hand placement so your fingers will not be in a place where a sudden slip could cause them to slide or fall into the cutterhead. When using only one push block to feed the wood, do not put your other hand on the planer or workpiece.
- Avoid injury from thrown pieces. Make sure the blades are properly installed and the cutter blade wedge screws are tight.
- Adjust the depth of cut to between 1/32" or less (0.8 mm or less) for best results. A deep cut makes feeding the wood harder and can cause the wood to kickback.
- Use the right tool. Do not force the tool to do a job it is not intended to do.

3. INSPECT YOUR WORK AREA:

- Keep the work area clean.
- Cluttered area and benches invite accidents. The floor must not be slippery from wax or sawdust.
- Avoid burns or other fire damage. Do not use the planer near flammable liquids, vapours or gases.
- Before using the planer, clear the table of all objects not needed to feed the workpiece.
- Avoid injury. Do not perform layout, assembly, or setup work on the planer.

4. PLAN YOUR WORK:

- Before trying a new or not often used operation, carefully plan your hand placement. Make sure you have proper push blocks, jigs, fixtures, stops, and other items ready to use.
- Avoid injury from unsafe accessories. Use only recommended accessories.

5. DRESS FOR SAFETY:

- Plan ahead to protect your eyes, hands, face and ears.
- Do not wear loose clothing, gloves, neckties or jewellery (rings, wrist watches). They can get caught and draw you into moving parts.
- Wear nonslip footwear.
- Tie back long hair.
- Roll long sleeves above the elbow.
- Noise levels vary widely. To avoid possible hearing damage, wear ear plugs or muffs when using the planer for hours at a time.
- Planer can throw foreign objects into your eyes. This can result in permanent eye damage. Wear safety goggles (not glasses) that comply with CSA Standards. Regular eyeglasses have only impact-resistant lenses. They are not safety glasses.
- For dusty operations, wear a dust mask along with safety goggles.

6. INSPECT YOUR WORKPIECE:

- Make sure there are no nails or foreign objects in the part of the workpiece to be planed.

7. PLAN YOUR CUT:

- Small or thin workpieces can kickback when they tip over on the tables or the cutterhead.
- To avoid cutterhead contact or workpiece kickback, do not plane workpieces shorter than 5" (127 mm).
- Do not plane wood thinner than 1/2" (13 mm).
- Do not cut freehand. Guide your workpiece solidly against the fence and table top. Make sure there is no debris between the workpiece and its supports.
- Use extra caution with large, small or awkward workpieces.
- Use extra support (tables, sawhorses, blocks) if your workpiece is hard to hold down to the table.
- Do not use another person as additional support or to help feed, support or pull the workpiece.
- Do not cut more than one workpiece at a time.
- Do not turn your planer ON before clearing everything except the workpiece and related support devices off the table.

8. AVOID ACCIDENTAL STARTING:

- Make sure the switch is OFF before plugging the planer into a power source.

WHEN THE PLANER IS RUNNING



DO NOT ALLOW FAMILIARITY (GAINED FROM FREQUENT USE OF YOUR PLANER) TO CAUSE A CARELESS MISTAKE. REMEMBER THAT A CARELESS FRACTION OF A SECOND IS ENOUGH TO CAUSE A SEVERE INJURY.

1. KEEP CHILDREN AWAY:

- Make sure bystanders are clear of the planer.
- Before actually cutting with the planer, let it run for a while. If it makes an unfamiliar noise or vibrates, stop immediately. Turn the planer OFF. Unplug the planer. Do not restart it until finding and correcting the problem.

2. DO NOT FORCE THE TOOL:

- Feed the workpiece into the planer only fast enough to let the tool cut without bogging down or jamming.

3. BEFORE FREEING JAMMED MATERIAL:

- Turn the switch OFF.
- Wait for all moving parts to stop.
- Unplug the planer.

4. BEFORE LEAVING THE PLANER:

- Turn the planer OFF.
- Unplug the planer.
- Make the workshop childproof. Lock the shop. Disconnect master switches. Remove the ON/OFF switch key. Store it away from children and others not qualified to use the tool.

ELECTRICAL REQUIREMENTS AND SAFETY

CONNECTING TO THE POWER SUPPLY

Check that the power supply and plug used is in accordance with your planer. Have a look at the rating plate of the motor or the rating on the planer. Any changes should always be carried out by a qualified electrician.

WARNING

This machine must be earthed.

If not properly earthed this machine can cause an electrical shock. Be sure that the power supply outlet is earthed. If there is any doubt, have it checked by a qualified electrician.

WARNING

Avoid contact with the terminals on the plug when installing (removing) the plug to (from) the power supply outlet. Contact will cause a severe electrical shock.

USING AN EXTENSION LEAD

The use of any extension lead will cause some loss of power. To keep this to a minimum and to prevent overheating and motor burn-out, ask advice from a qualified electrician to determine the minimum wire size of the extension lead.

The extension lead should be equipped with an earthed type plug that fits the power supply outlet at one end, and with an earthed type socket that fits the plug of this machine at the other end.

WARNING

Do not dispose of electrical appliances as unsorted municipal waste, use separate collection facilities. Contact your local government for information regarding the collection systems available.

If electrical appliances are disposed of in landfills or dumps, hazardous substances can leak into the groundwater and get into the food chain, damaging your health and well-being.

When replacing old appliances with new once, the retailer is legally obligated to take back your old appliance for disposal at least for free of charge.

ACCESSORIES AND ATTACHMENTS

RECOMMENDED ACCESSORIES

WARNING

Visit your Hardware Department or see the Power and Hand Tools Catalog to purchase recommended accessories for this power tool.

TOOLS NEEDED FOR ASSEMBLY

Supplied

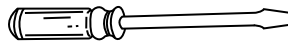


Wrench

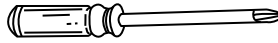


Hex Wrench

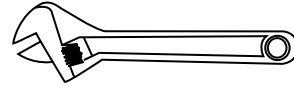
Not Supplied



Medium Screwdriver



#2 Phillips Screwdriver



Adjustable Wrench

CARTON CONTENTS

UNPACKING AND CHECKING CONTENTS

Separate all parts from packing materials. Check each part with the illustration on the next page and the "Table of Loose Parts" to make certain all items are accounted for, before discarding any packing material.

TABLE OF LOOSE PARTS

ITEM	DESCRIPTION	QUANTITY
A	Planer	1
B	Bolts	2
C	Power Cord Bracket	2
D	Hex Key	1
E	Setting Gauges	2
F	Cap	1
G	Wrench	1
H	Bolt	1
I	Cr. Re. Pan Hd. Tapping Screw	3
J	Dust Collector Ass'y	1
K	Crank Handle	1
L	Stand Legs	4
M	Short Lower Crossbar	2
N	Long Lower Crossbar	2
O	Short Upper Crossbar	2
P	Long Upper Crossbar	2

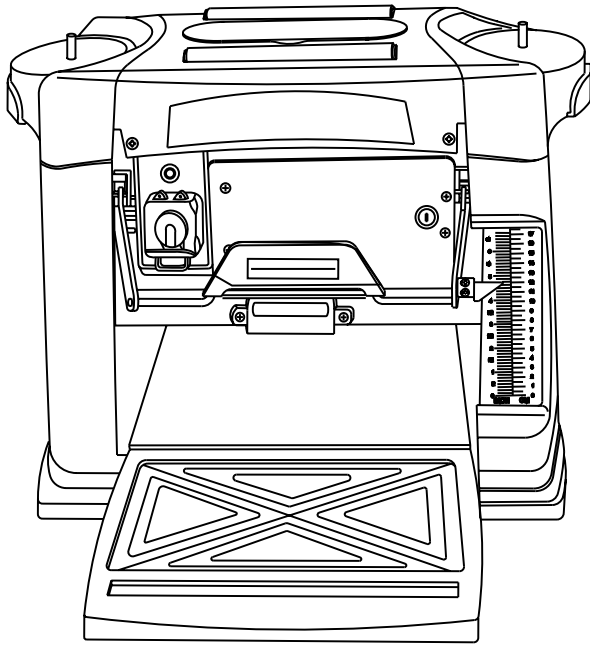
	Foot Pad	4
	Flat Washer	4
	Hex. Hd. Bolt	4
Q	Cap Hd. Sq. neck Bolt	40
	Serrated Toothed	4
	Hexagon Flange Nut	40
	Serrated Toothed	40
	Hexagon Flange Nut	40

WARNING

If any part is missing or damaged, do not attempt to assemble the planer, plug in the power cord, or turn the switch ON until the missing or damaged part is obtained and is installed correctly.

NOTE: To make assembly easier, keep contents of box together. Apply a coat of automobile wax to the table. Wipe all parts thoroughly with a clean dry cloth. This will reduce friction when pushing the workpiece.

UNPACKING



A



B



C



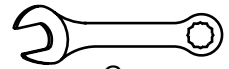
D



E



F



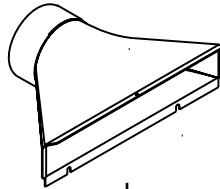
G



H



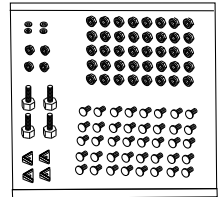
I



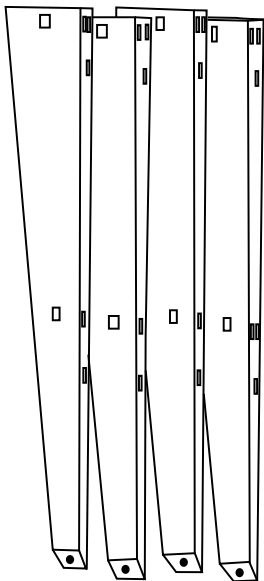
J



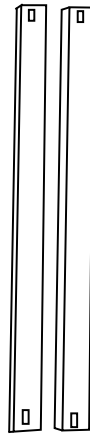
K



Q



L



M



N

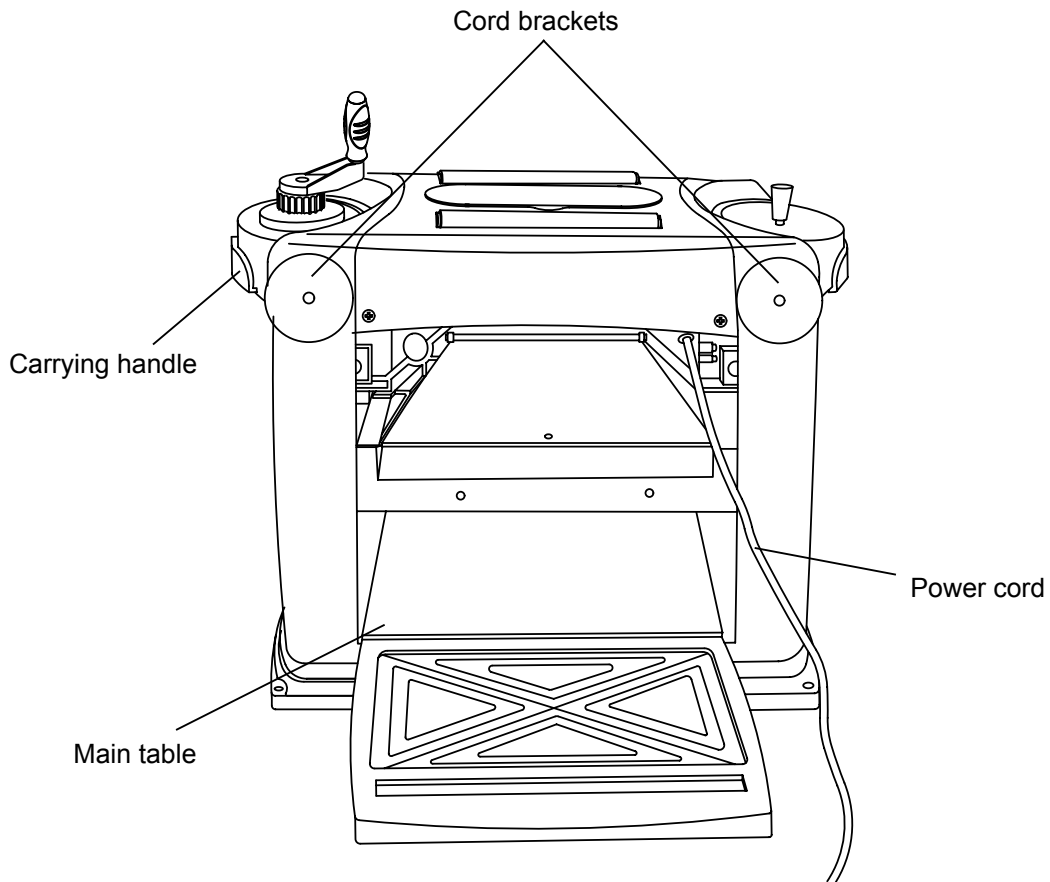
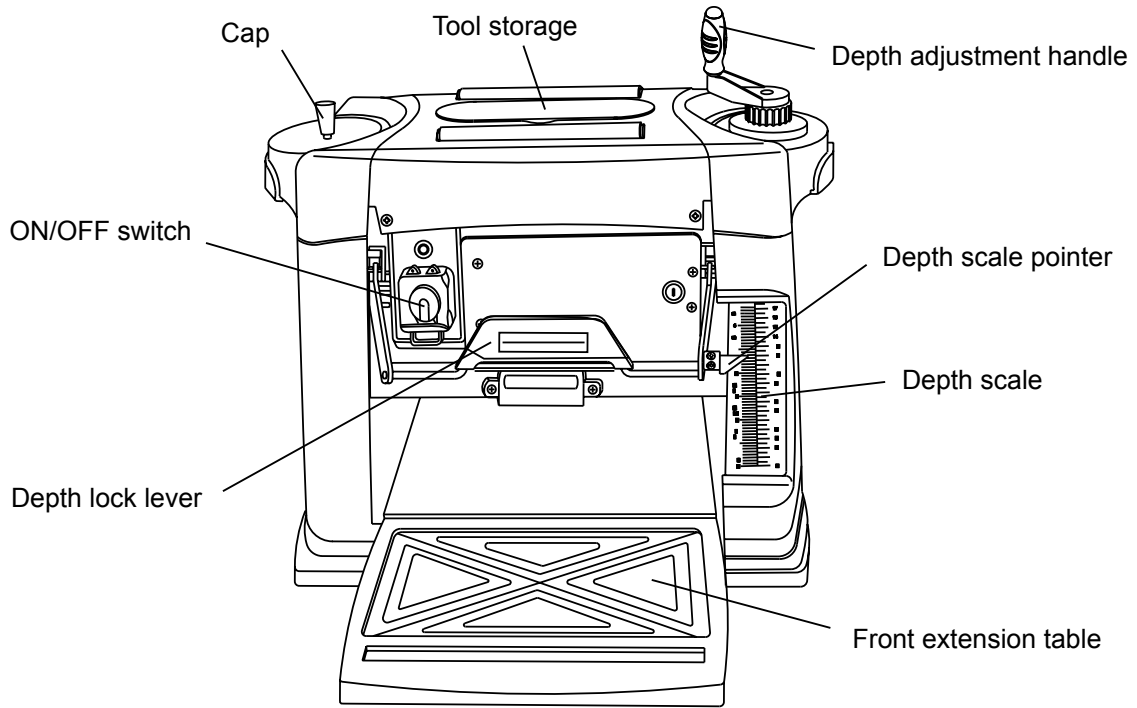


O



P

KNOW YOUR PLANER



ASSEMBLY AND ADJUSTMENTS

⚠ WARNING

Never connect the plug to the power source outlet until all installations and adjustments are completed and you have read and understood the safety and operational instructions.

ESTIMATED ASSEMBLY TIME 20~35 MINUTES

ASSEMBLY INSTRUCTIONS

Lift the tool from the packaging and place it on your workbench. Carefully open the front and rear extension tables and take out the loose parts bag and power cord.

ASSEMBLE STAND (FIG. A)

1. Unpack all parts and sort by type and size.
Refer to the parts list on page 58 for correct quantities.
 2. Attach long upper crossbar (4) to top of leg (1) and adjacent leg using carriage bolts (2) and nuts (5).
- NOTE:** Do not tighten bolts until step 7.
3. Attach long lower crossbar (3) to bottom of leg (1) and adjacent leg using carriage bolts and nuts.
 4. Repeat on opposite side of stand.

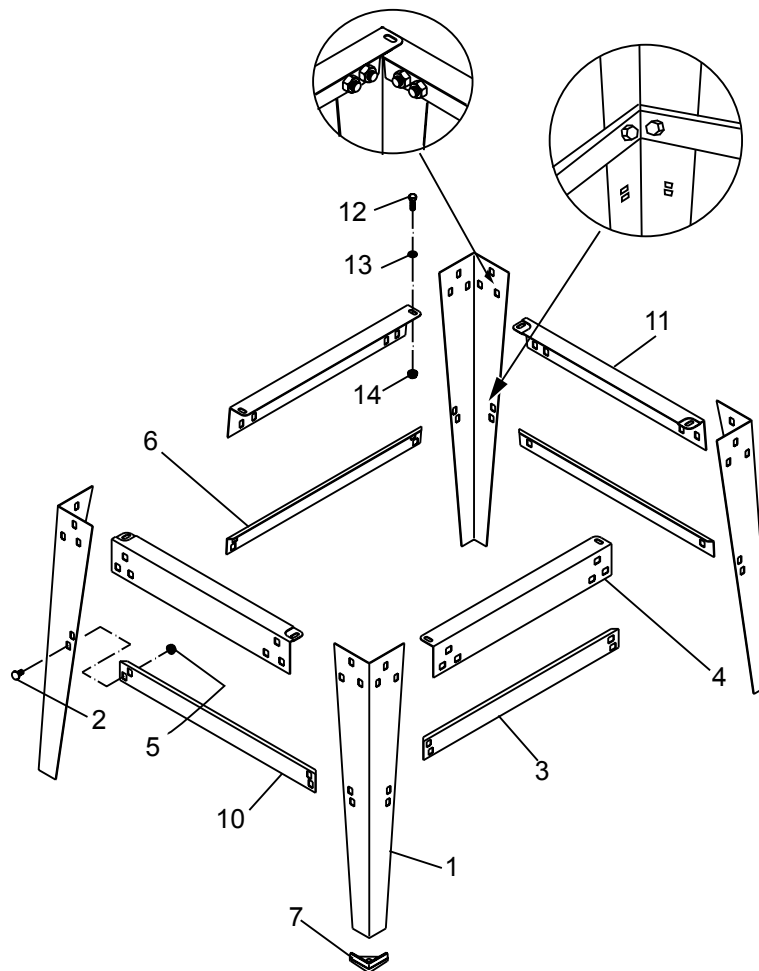
5. Join the front and back of stand, using short upper (11) and lower (10) crossbars, carriage bolts and nuts.
6. Place foot pad (7) on legs.
7. Place the stand on a level surface and make sure all legs are contacting the floor and are at similar angles to the floor. Tighten all bolts.

ASSEMBLE PLANER TO STAND

1. Carefully place planer on top of stand.
2. Line up the four mounting holes on tool base with those on the stand.
3. Fasten the planer to the stand using mounting bolts (12), washers (13) and nuts (14) (see Fig. A).
4. Tighten all nuts.

NOTE: DO NOT OVER TIGHTEN NUTS.

Fig. A

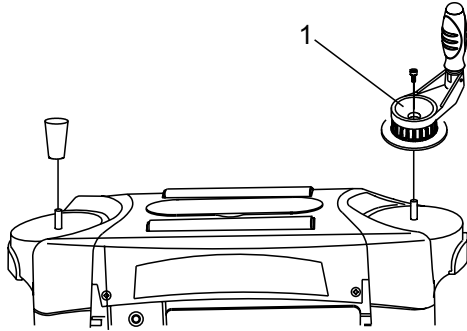


INSTALLING THE DEPTH ADJUSTMENT HANDLE (FIG. B)

1. Place the depth adjustment handle (1) on the right hand side, on top of the machine.
2. Insert the hex socket screw into the handle. Tighten.
3. Press the cap on the left hand side.

NOTE: The depth adjustment handle can be installed on either the right-hand side or left-hand side. The illustration shows the crank handle on the right-hand side.

Fig. B

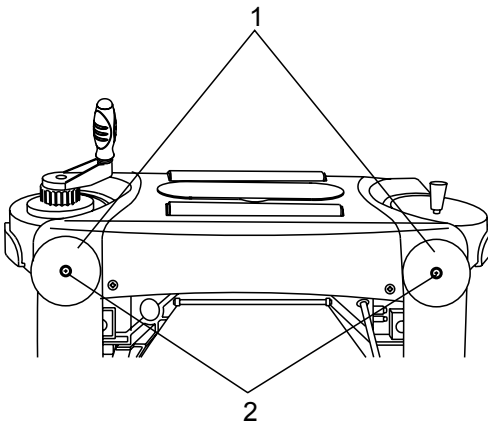


INSTALL POWER CORD BRACKETS (FIG. C)

Power cord brackets (1) are provided for convenient cord storage.

1. Attach the power cord brackets to the back of the tool body, as shown, with two screws (2).
2. Tighten the screws (2).

Fig. C



ADJUSTMENT

NOTE: This tool was accurately adjusted before shipping from the factory. Check the following accuracy and readjust them if necessary in order to obtain the best results in operation.

⚠ WARNING

To avoid injury from an accidental start-up, make sure the switch is in the OFF position and the plug is not connected to the power source.

ADJUSTING THE EXTENSION TABLE (FIG. D, D-1)

1. Pull out the cutterhead lock lever (1).
2. Unlock the head.
3. Turn the depth adjustment handle (2) to raise the head.
4. Place a straight edge over the extension tables and the main table.
5. Press down the straight edge against the table extensions to remove any play.
6. If adjustment is required, fold up the extension table and loosen the lock nut (3) and adjust the adjustment bolt (4) until the tables are level.

Fig. D

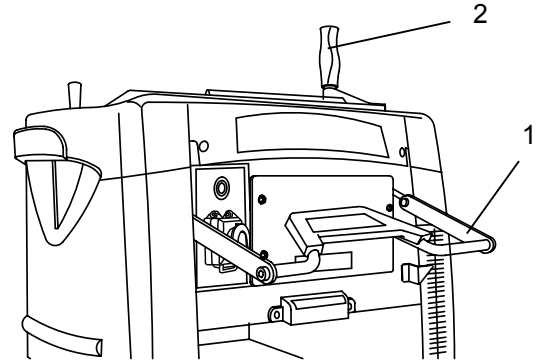
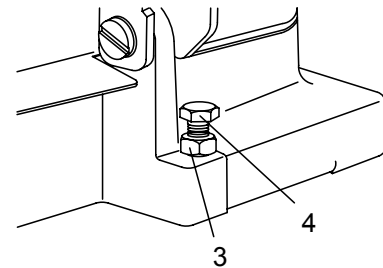


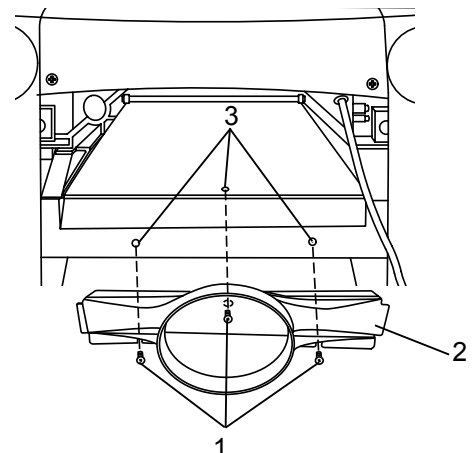
Fig. D-1



INSTALLING THE DUST COLLECTOR (FIG. E)

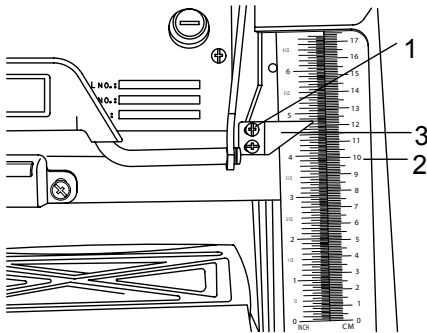
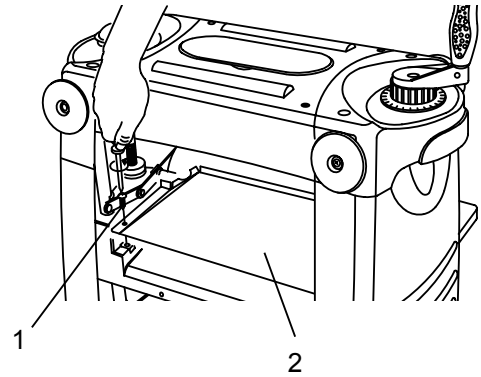
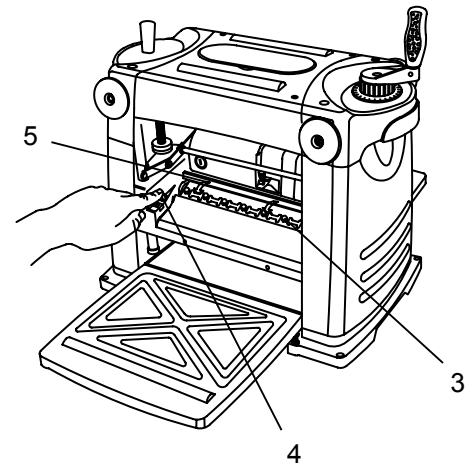
1. Attach the dust collector (2) to the back of the planer, as shown, with three screws (1).
2. Thread the three screws (1) to the pre-drilled holes (3) in back of the planer.
3. Tighten the screws.

Fig. E



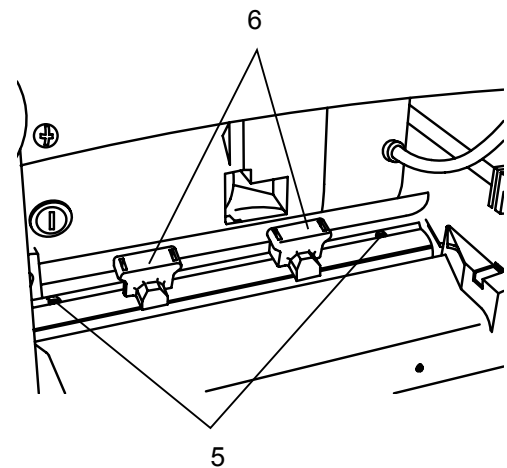
ADJUSTING THE DEPTH SCALE (FIG. F)

1. Try to plane a board.
2. Compare the measured thickness of the board to the reading on the depth scale (2).
3. If the reading on the depth scale is incorrect, loosen the screws (1) and adjust the pointer (3) until the proper measurement is displayed.
4. Test the reading again by planing another scrap wood. Double check it and re-adjust if necessary.

Fig. F**Fig. G****Fig. G-1****SETTING THE KNIFE HEIGHT (FIG. G, G-1, H)****⚠ WARNING**

To avoid injury from an accidental start-up, make sure the switch is in the OFF position and the plug is not connected to the power source.

1. Remove the two screws (1) with a screwdriver, and then remove the dust cover (2). (Fig. G)
2. Loosen the eight hex bolts (3) with supplied wrench.
3. Press the lock latch (4) and carefully turn the cutterhead until exposing two adjustment bolts (5). (Fig. G-1)
4. Place the knife setting gauges (6) (Fig. H) on the cutterhead with both guides resting firmly against the knife.
5. Loosen or tighten two adjustment bolts (5) with hex wrench until the knife touches the knife setting gauge.
6. Fasten the eight hex bolts (3) with the supplied wrench.
7. Replace the dust cover (2) and secure it with the two screws (1).

Fig. H

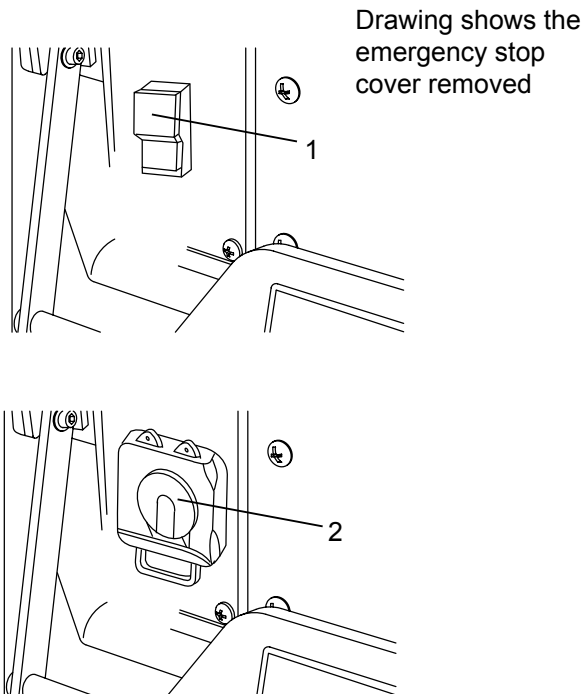
OPERATION

THE NO VOLT RELEASE (NVR) SWITCH FOR THE PLANER (FIG. I)

Your planer is equipped with a No Volt Release (NVR) switch with emergency stop cover. This device can provide to stop the planer immediately in urgent condition.

The main switch, No Volt Release (NVR) switch (1), is on the front of planer. Press "I" to turn on the power; press "O" to turn off the power. When the power breaks off accidentally, press "I" to restart. The emergency stop cover (2) will allow you to stop the operation of this planer in urgent condition by hitting it by hand.

Fig. I



BASIC PLANER OPERATIONS

⚠ WARNING

1. Allow the motor to come up to full speed before starting cut.
2. Always feed the work in the direction that allows the planer blades to cut with the grain. Feeding against the grain will cause the blades to lift fibres from the work surface causing a fuzzy appearance.
3. Remove all foreign objects from the workpiece. Do not plane wood that is severely knotted or warped.

4. The planer works best with at least one flat surface. Place the flat surface downward on the table.
5. Do not plane more than 3 mm in one pass.
6. Proper depth of cut is judged by the width of the board and hardness of the board.
7. Make sure long boards are supported level with table at front and rear of the planer. Use extension roller stand if necessary.
8. Do not receive the board with your hands toward inside of the rear extension table.
9. If you need cutting to a specific height (19mm, 6mm, 12mm). Move the right side of the height level to the desired position. (Fig. L)

1. Pull out the cutterhead lock lever (1). (Fig. J)
2. Unlock the cutterhead.
3. Lower the cutterhead until it touches the workpiece.
4. Set the cutting depth dial to "3mm" mark.
5. Raise the cutterhead a little and remove the workpiece.
6. Adjust the depth of cut to the desired finished thickness of the board.
7. Lock the cutterhead.
8. Push in the cutterhead lock lever (1). (Fig. K)
9. Start board under the infeed roller so it travels straight. When infeed roller takes hold, release board and stand aside (out of the way of any possible kickback).
10. If the board is long, place it on the top of the planer and roll it to the front for replaning.

Fig. J

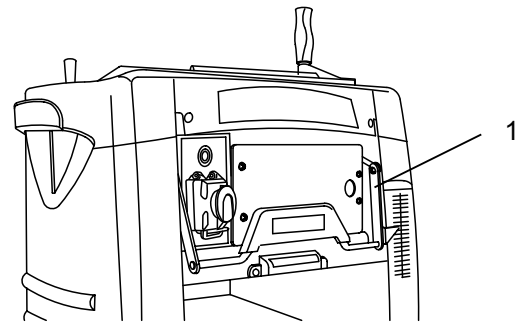


Fig. K

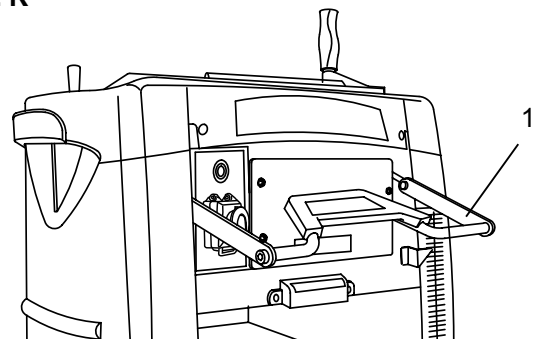
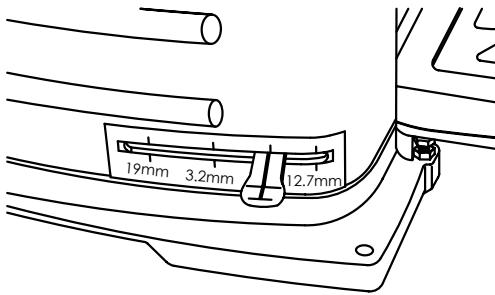


Fig. L

**NOTE:**

1. Planing for a smooth finish as well as thickness is best accomplished by taking light cuts on the board.
2. For the best result, plane both sides of your workpiece to reach the desired thickness.
3. If snipe happens, (snipe is a depression made when the ends of the workpiece contact the cutters) make sure the extension tables and support stands are level with the main table and the flat side of the workpiece is against the tables.
4. For bowed workpiece, removing the bow with a jointer is recommended.
5. For cupped or warped workpieces, plane the top flat and then turn it over and plane the bottom flat.

CHANGING BLADES (FIG. M, N, O)

NOTE: The blades changing accessories are stored in the tool storage.

 **WARNING**

To avoid injury from an accidental start-up, always turn the switch off and remove the power plug from the power source before changing the blades.

1. Rotate the handle to lower down the cutterhead to 2" (50 mm) height.
2. Remove the two screws (1) with a screwdriver, and then remove the dust cover (2). (Fig. M).
3. Press the lock latch (3) and carefully turn the cutterhead until it exposes eight hex bolts (4) (Fig. N).
4. Remove the eight hex bolts (4) with the supplied wrench (Fig. O).
5. Carefully remove the hold-down plate (5) by lifting straight up (Fig. O).
6. Carefully remove the blade (6) by lifting both ends straight up (Fig. O).
7. The blade has two cutting edges. If using the other side of the blade or replacing the blade, place the blade on the cutterhead by locating the two slotted

holes in the blade over the locating pins on the cutterhead (Fig. O).

Fig. M

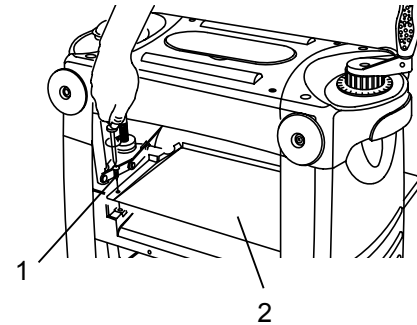


Fig. N

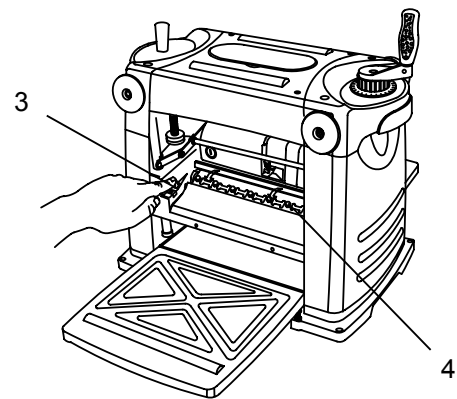
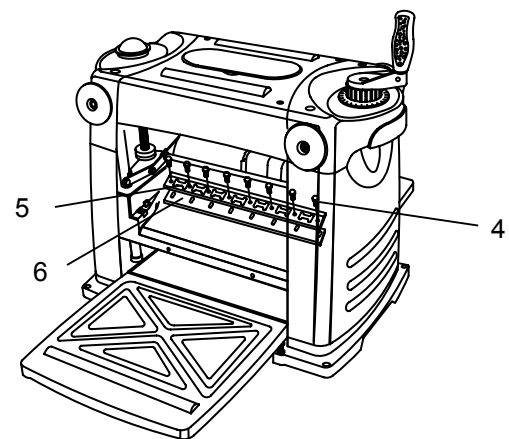


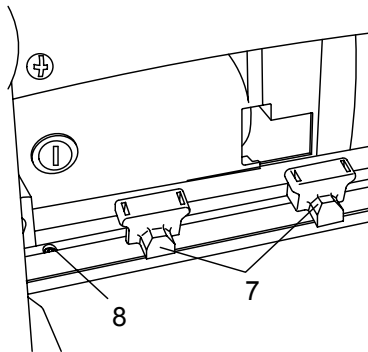
Fig. O



8. Slightly adjust the blade position so that it is positioned uniformly in the centre of cutterhead.
9. Replace the hold-down plate (5), screw the eight hex bolts (4) in, but do not tighten. (Fig. O)
10. Place the blade setting gauges (7) on the cutterhead with both gauges resting firmly against the blade. (Fig. P)
11. Turn both of the adjusting screws (8) until the blade touches the blade setting gauges.
12. Remove the blade setting gauges and then rotate the cutterhead to expose the eight hex bolts (4-Fig. O). Tighten all bolts with supplied wrench.
13. Replace the dust cover and secure it with the two screws.

NOTE: The planer will not start until the dust cover and cutterhead guard are properly installed.

Fig. P



MAINTENANCE

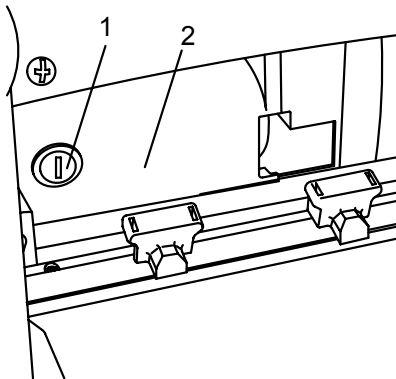
WARNING

Never put lubricants on the blade while it is spinning. To avoid fire or toxic reaction, never use gasoline, naphtha acetone, lacquer thinner or similar highly volatile solvents to clean the planer. To avoid injury from unexpected starting or electrical shock, unplug the power cord before working on the tool. For your safety, this tool is double-insulated. To avoid electrical shock, fire or injury, use only parts identical to those identified in the parts list. Reassemble exactly as the original assembly to avoid electrical shock.

REPLACING CARBON BRUSHES (FIG. Q)

The carbon brushes furnished will last approximately 50 hours of running time, or 10,000 ON/OFF cycles. Replace both carbon brushes when either has less than 1/4" (6,35mm) length of carbon remaining, or if the spring or wire is damaged or burned. To inspect or replace brushes, first unplug the tool. Then remove the black plastic cap (1) on the side of the motor (2). Remove the cap cautiously, because it is spring-loaded. Then pull out the brush and replace. Replace for the other side. To reassemble reverse the procedure. The ears on the metal end of the assembly go in the same slots the carbon part fits into. Tighten the cap snugly, but do not overtighten.

Fig. Q



NOTE: To reinstall the same brushes, first make sure the brushes go back in the way they came out. This will avoid a break-in period that reduces motor performance and increases wear.

REPLACING V-BELT

Inadequate tension in the V-belt will cause the belt to slip from the motor pulley or drive pulley. A loose belt must be replaced. To replace V-belt:

- Turn planer OFF and unplug from power source.
- Loosen and remove screws on right panel. Remove panel.
- Remove old belt by walking the belt from motor and drive pulleys alternatively. Gently pull the belt while turning the pulleys at the same time.
- Replace with new belt. Walk the belt onto the pulleys in the reverse manner as when removing the belt.
- Make sure the belt is evenly seated all the way on the motor and drive pulley grooves.
- Replace and secure right panel.

LUBRICATION

- Motor and cutterhead bearings are sealed and need no lubrication.
- Gears and elevation screws should be cleaned of debris and grease
- The tables can be coated with a lubricant such as furniture wax, to make the workpiece feed smoother. Make sure the lubricant used does not affect the ability to finish the workpiece with varnish, sealer, etc. Do not use any silicone-base lubricants.

CLEAN PLANER

Keep planer clean. After 10 hours of operation, remove wood chips, dust, dirt and debris.

TROUBLESHOOTING GUIDE

WARNING

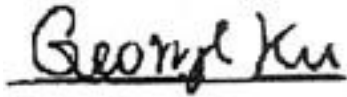
To avoid injury from an accidental start, turn the switch OFF and always remove the plug from the power source before making any adjustments.

- Consult Hitachi Authorized Service Center if for any reason the motor will not run.

SYMPTOM	POSSIBLE CAUSES	CORRECTIVE ACTION
Snipe (gouging at ends of board)	<ol style="list-style-type: none"> 1. Dull blades. 2. Inadequate support of long boards. 3. Uneven force on cutterhead. 4. Rollerbase not level with base. 5. Lumber not butted properly. 	<ol style="list-style-type: none"> 1. Replace blades per instructions. See CHANGING THE BLADE. 2. Support long boards. See Avoiding Snipe. 3. Gently push board when board is in contact with only one feed roller. See Avoiding Snipe. 4. Adjust rollerbase. See Adjusting. 5. Butt each piece of stock end-to-end as boards pass through planer.
Fuzzy grain	Planing wood with a high moisture content	Remove high moisture content from wood by drying
Torn grain	<ol style="list-style-type: none"> 1. Too heavy a cut 2. Blades cutting against grain 3. Dull blades 	<ol style="list-style-type: none"> 1. Review OPERATION. 2. Review OPERATION. 3. Replace blades per instructions. See CHANGING THE BLADES.
Rough raised grain	<ol style="list-style-type: none"> 1. Dull blades 2. Too heavy a cut 3. Moisture content too high 	<ol style="list-style-type: none"> 1. Replace blades per instructions. See CHANGING THE BLADES. 2. Review OPERATION. 3. Dry the wood or use dried wood.
Uneven depth of cut (side to side)	Rollerbase not level with Planer	Rollerbase not level. See ADJUSTING.
Rollerbase elevation adjusts with difficulty	<ol style="list-style-type: none"> 1. Gears dirty 2. Elevation screws dirty 3. Gears, elevation screws worn 4. Friction between rollerbase and covers 5. Rollerbase not parallel with planer base 6. Rollerbase lock engaged 	<ol style="list-style-type: none"> 1. Clean and lubricate gears. 2. Clean and lubricate elevation screws. 3. Replace gears, elevation screw. 4. Clean and lubricate. 5. Adjust rollerbase. See ADJUSTING. 6. Release rollerbase lock
Board feeds inside, but stops moving past the outfeed roller	<ol style="list-style-type: none"> 1. Outfeed rollers cannot rotate due to clogging of chips 2. Too much pressure on the cutterhead from long workpiece 	<ol style="list-style-type: none"> 1. Clear the clogging, use dust collector chip chute. 2. Use support stands to support workpiece longer than 24" (610mm).
Board thickness does not match depth of cut scale	Indicator not set correctly	Adjust indicator and tighten securely.
Chain jumping	<ol style="list-style-type: none"> 1. Sprockets worn 2. Chain worn 	<ol style="list-style-type: none"> 1. Replace sprockets. 2. Replace chain.
Planer will not operate	<ol style="list-style-type: none"> 1. No power to planer 2. Motor overload protection tripped 3. Defective or loose switch or wiring. 	<ol style="list-style-type: none"> 1. Check power source by qualified electrician. 2. Turn planer off. Reset motor overload protection. 3. Check switch and wiring by qualified electrician.
Belt slipping	Loose belt	Replace belt, see Replacing V-Belt.
Rollerbase cannot be lowered	Workpiece thickness gauge setting restricts rollerbase movement.	Reset thickness gauge setting.

EC-DECLARATION OF CONFORMITY

Rexon Industrial Corp., Ltd. declares this Portable Planer, Model P13F, is in conformity with the Low Voltage Directive 73/23/EEC and the Amendment Directive 89/336/EEC and the Machinery Directive Annex 1 of 98/37/EC and EMC Directive 89/336/EEC.



George Ku, Marketing Director
Date: 1 December 2006
Rexon Industrial Corp., Ltd.
261 Jen Hwa Road
Tali, Taichung 412
Taiwan, R.O.C.

⚠ ADVERTENCIA

Cierto polvo creado al lijar, triturar, afilar, taladrar o realizar otras actividades de construcción, contiene químicos que el Estado de California reconoce como causantes de cáncer, malformaciones congénitas u otros defectos reproductivos. Algunos ejemplos de estos productos químicos son:

- Pinturas con base de plomo
- Sílice cristalina de ladrillos, cemento y otros productos de albañilería.
- Arsénico y cromo de madera tratada químicamente.

Su riesgo de exposición a estos productos varía, dependiendo de la frecuencia con que usted realice este tipo de trabajo. Para reducir su exposición a estos químicos: trabaje en un área bien ventilada y con equipo de seguridad aprobado, tal como las máscaras para polvo que están diseñadas específicamente para filtrar partículas microscópicas.

ESPECIFICACIONES DEL PRODUCTO

CEPILLADORA DE 13" (330mm)

Voltaje.....	230V / 50Hz
Vatios.....	1800W
Amperios.....	8A (230V)
Anchura máxima del material.....	13" (330mm)
Grosor del corte.....	Min. 1/8" (3,2mm)
Profundidad máxima del corte.....	3/32" (2,4 mm)
Velocidad de alimentación.....	0.12 m/s
Número de hojas.....	2
Velocidad sin carga.....	9,250min ⁻¹
Peso.....	101.4 lb (46 kg)

Los niveles de ruido de esta máquina durante el funcionamiento son los siguientes:

nivel máxima de presión del sonido: 100.2 dB(A)

nivel máxima de potencia del sonido: 112 dB(A)

⚠ ADVERTENCIA

Para evitar riesgos de descarga eléctrica, incendio o daños en la sierra de mesa, utilice la protección de circuito adecuada.

Esta sierra de mesa está cableada de fábrica para un funcionamiento de 230 voltios. Se debe conectar a un fusible odisyuntor de retardo de 230voltios / 8 amperios. Para evitar una descarga eléctrica o un incendio, cambie el cable decorriente inmediatamente si está desgastado, roto o dañado de alguna manera.

Antes de usar la sierra de mesa, es fundamental que lea y entienda estas medidas de seguridad. Si no sigue estas normas, puede sufrir lesiones graves o producir daños en la sierra de mesa.



Anteojos de la seguridad del desgaste
Protección auditiva del desgaste
Use una máscara de respiración

⚠ ADVERTENCIA

El ruido puede ser un peligro para la salud. Cuando el nivel de ruidos excede de 85dB(A), sea seguro usar la protección auditiva.

PROTECCIÓN DEL MEDIO AMBIENTE



Recicle los materiales indeseados en vez de disponer de ellos como basura. Todas las herramientas, mangueras y empaquetado deben ser clasificados, llevar al centro local de reciclaje y disponer de una manera segura para el medio ambiente.

SEGURIDAD DE LA HERRAMIENTA ELÉCTRICA

La seguridad consiste en combinar el sentido común, el estado de alerta y el conocimiento del funcionamiento de la cepilladora.

ADVERTENCIA

PARA EVITAR ERRORES QUE PODRÍAN PROVOCAR LESIONES GRAVES, NO ENCHUFE LA CEPILLADORA HASTA QUE NO HAYA LEÍDO Y ENTENDIDO LOS PASOS SIGUIENTES.

1. **LEA** y familiarícese con este manual de instrucciones completo. APRENDA cuáles son las aplicaciones, las limitaciones y los posibles riesgos de la herramienta.
2. **EVITE LAS CONDICIONES DE PELIGRO. NO** utilice herramientas eléctricas en áreas húmedas o expuestas a la lluvia. Mantenga las áreas de trabajo bien iluminadas.
3. **NO** utilice herramientas eléctricas en lugares en los que haya líquidos o gases inflamables.
4. Mantenga el área de trabajo **SIEMPRE** limpia, despejada y bien iluminada. **NO** trabaje sobre superficies de suelo que estén resbaladizas por serrín o cera.
5. **MANTENGA A LOS VISITANTES A UNA DISTANCIA DE SEGURIDAD DEL** área de trabajo, sobre todo cuando la herramienta esté funcionando. **NO** permita que los niños se acerquen a la herramienta.
6. **NO FUERCE LA HERRAMIENTA** para realizar un trabajo para el que no ha sido diseñada.
7. **UTILICE UNA VESTIMENTA SEGURA. NO** utilice ropa suelta, guantes, corbatas o joyas (anillos, relojes) mientras usa la herramienta. Pueden quedarse atrapados y arrastrarle hacia las partes móviles. Utilice **SIEMPRE** calzado antideslizante y, si tiene el pelo largo, cúbrase de forma adecuada.
8. **UTILICE UNA MÁSCARA FACIAL O UNA MÁSCARA CONTRA EL POLVO.** El funcionamiento de la máquina produce polvo.
9. Desconecte **SIEMPRE** el enchufe de la toma de corriente eléctrica cuando realice ajustes, cambie piezas, o realice trabajos de limpieza o de otro tipo en la herramienta.
10. **MANTENGA LOS PROTECTORES EN SU SITIO Y EN BUEN ESTADO DE FUNCIONAMIENTO.**
11. **EVITE LOS ENCENDIDOS ACCIDENTALES.** Asegúrese de que el interruptor está en posición OFF antes de enchufar el cable de alimentación.
12. **RETIRE LAS HERRAMIENTAS DE AJUSTE. ASEGÚRESE SIEMPRE** de que ha retirado todas las herramientas de la cepilladora antes de encenderla.
13. **NO DEJE NUNCA LA HERRAMIENTA ENCENDIDA MIENTRAS ESTÁ DESATENDIDA.** Apague la herramienta. NO deje la herramienta desatendida hasta que no se haya parado por completo.
14. **NO SE SUBA NUNCA A LA HERRAMIENTA.** Puede sufrir lesiones graves si la herramienta vuelca o es golpeada accidentalmente. **NO** almacene ningún elemento encima o cerca de la herramienta.
15. **NO SE EXTRALIMITE.** Mantenga un equilibrio adecuado en todo momento. Utilice calzado con suela de goma resistente al aceite. Mantenga el suelo libre de aceite, restos y otros desechos.
16. **NUNCA DEJE DESATENDIDA LA HERRAMIENTA MIENTRAS ESTÉ FUNCIONANDO. APAGUE LA HERRAMIENTA.** No deje la herramienta hasta que se haya detenido completamente.
17. **MANTENGA LAS HERRAMIENTAS EN PERFECTAS CONDICIONES.** Mantenga las herramientas **SIEMPRE** limpias y en buen estado de funcionamiento. Siga las instrucciones para lubricar y cambiar los accesorios.
18. **COMPRUEBE SI HAY PARTES DAÑADAS.** Compruebe que todas las piezas móviles están alineadas y no se encuentran atascadas, rotas o mal montadas o en cualquier otro estado que pueda afectar al funcionamiento de la herramienta. Repare o sustituya de forma adecuada cualquier pieza dañada antes de usar la herramienta.
19. **CONVIERTA EL TALLER ES UN LUGAR SEGURO PARA LOS NIÑOS.** Utilice candados, interruptores maestros y elimine **SIEMPRE** los botones de encendido.
20. **NO** utilice la herramienta si se encuentra bajo los efectos de cualquier droga, alcohol o medicación que pueda afectar a su capacidad para usar la herramienta de forma segura.
21. **CUANDO REALICE LABORES DE MANTENIMIENTO, UTILICE ÚNICAMENTE PIEZAS DE REPUESTO IDÉNTICAS.**

ADVERTENCIA

EL POLVO GENERADO POR DETERMINADOS MATERIALES PUEDE SER PELIGROSO PARA LA SALUD. UTILICE SIEMPRE LA CEPILLADORA EN UN ÁREA BIEN VENTILADA Y PROVEA UN SISTEMA DE ELIMINACIÓN DEL POLVO ADECUADO.

INSTRUCCIONES DE ESPECÍFICAS PARA LA CEPILLADORA

ANTES DE USAR LA CEPILLADORA

ADVERTENCIA

PARA EVITAR ERRORES QUE PODRÍAN PROVOCAR LESIONES GRAVES PERMANENTES, NO ENCHUFE LA CEPILLADORA HASTA QUE NO HAYA LEÍDO Y ENTENDIDO LOS PASOS SIGUIENTES.

1. Su cepilladora viene totalmente montada. Lo único que hay que montar es la manivela de ajuste de la profundidad del cabezal de corte. Monte la cepilladora sobre un banco de trabajo o una superficie adecuada.
2. Aprenda a utilizar la función del interruptor de encendido (ON/OFF), la manivela de elevación, el protector del cabezal de corte, la mesa de salida, la mesa de entrada y los bloques de empuje.
3. Revise y entienda todas las instrucciones de seguridad y los procedimientos de funcionamiento de este manual de instrucciones.
4. Revise los métodos de mantenimiento de esta cepilladora.
5. Localice y lea todas las etiquetas de advertencia de la cepilladora:
 - Lea el manual antes de usar la cepilladora.
 - Utilice gafas protectoras de seguridad.
 - No lleve a cabo una operación de cepillado sin el protector del cabezal de corte o el protector de cinta.
 - No realice cortes de cepillado superiores a 1/32" (0,8 mm).
 - No realice nunca cortes de cepillado en piezas de trabajo cuya longitud sea inferior a 14" (35,6 cm).
 - Apague la cepilladora, espere a que la hoja se detenga y desconecte el cable de alimentación de la toma de corriente antes de llevar a cabo tareas de ajuste o mantenimiento.

CUANDO INSTALE O TRASLADÉ LA CEPILLADORA

1. **EVITE LOS ENTORNOS PELIGROSOS:**
 - Utilice la cepilladora únicamente en un lugar interior seco y protegido de la lluvia.
 - Mantenga el área de trabajo bien iluminada.
2. **PARA EVITAR LESIONES DEBIDO A UN MOVIMIENTO INESPERADO DE LA CEPILLADORA:**
 - Atornille o sujete la cepilladora a una superficie nivelada y firme en la que haya mucho sitio para mover la pieza de trabajo y cortarla por completo.
 - Apoye la cepilladora de tal forma que las mesas estén niveladas y la cepilladora no se mueva.
 - Coloque la cepilladora en un lugar en el que ni los operadores ni los transeúntes se puedan colocar en línea con la madera durante el cepillado.
 - Para evitar lesiones por descarga eléctrica, asegúrese de que sus dedos no toca las clavijas metálicas del enchufe con los dedos al enchufar o desenchufar la cepilladora.
 - Apague y desenchufe la cepilladora antes de trasladarla a otra área. Para evitar lesiones en la espalda, busque ayuda cuando necesite levantar la cepilladora.
 - Atornille la cepilladora al suelo si ésta se mueve al

cepillar tableros largos y pesados.

- **NO SE SUBA A LA CEPILLADORA.** No almacene materiales encima o cerca de la herramienta. Si se sube a la herramienta para alcanzar algún material, podría sufrir lesiones graves si se vuelca o toca accidentalmente la hoja.

ANTES DE CADA USO

1. INSPECCIONE LA CEPILLADORA:

- Si falta cualquier pieza, hay alguna pieza doblada o rota de alguna forma, o cualquier pieza eléctrica no funciona correctamente, apague la cepilladora y desenchúfela.
- Antes de usar la cepilladora, debe sustituir las piezas dañadas o reponer las piezas que faltan.
- Asegúrese de que el cabezal de corte gira en la dirección correcta. Debería moverse hacia la mesa de entrada.

2. EVITE LESIONES DEBIDO A ATASCOS, RESBALONES O LANZAMIENTO DE PIEZAS (RETROCESOS):

- Utilice esta cepilladora únicamente para cortar madera.
- Coloque la mano de tal forma que los dedos no se sitúen en un lugar en el que un movimiento repentino pueda hacer que se deslicen o caigan sobre el cabezal de corte. Cuando utilice un único bloque de empuje para alimentar la madera, no coloque la otra mano sobre la cepilladora o la pieza de trabajo.
- Evite sufrir lesiones por el lanzamiento de una pieza de trabajo. Asegúrese de que las hojas están correctamente instaladas y de que los tornillos de calce de la hoja de corte están bien apretados.
- Ajuste la profundidad del corte a un máximo de 1/32"(0,8 mm) para obtener un resultado óptimo. Un corte profundo dificulta la alimentación de la madera y puede provocar un retroceso.
- Utilice la herramienta correcta. No fuerce la herramienta para realizar un trabajo para el que no está destinada.

3. INSPECCIONE EL ÁREA DE TRABAJO:

- Las áreas y mesas de trabajo llenas de cosas son más propensas a provocar accidentes. El suelo debe no ser deslizante y estar libre de cera o serrín.
- Evite quemaduras u otros daños por fuego. No utilice la cepilladora cerca de líquidos, vapores o gases inflamables.
- Antes de usar la cepilladora, retire de la mesa todos los objetos que no sean necesarios para alimentar la pieza de trabajo.
- Evite lesiones. No realice tareas de diseño, montaje o instalación sobre la cepilladora.
- Evite lesiones. No realice tareas de diseño, montaje o instalación sobre la cepilladora.

4. PLANIFIQUE SU TRABAJO:

- Antes de probar una operación nueva o poco frecuente, planifique con cuidado la posición de las manos. Asegúrese de que tiene preparados los bloques de empuje, las plantillas de guía, los accesorios, los topes de seguridad y otros elementos adecuados.
- Evite lesiones debido al uso de accesorios

5. UTILICE UNA VESTIMENTA SEGURA:

- Tenga previsto el modo de protección de los ojos, las manos, la cara y los oídos.
- No utilice ropa suelta, guantes, corbatas o joyas (anillos, relojes de pulsera). Pueden quedarse atrapados y arrastrarle hacia las partes móviles.
- Utilice calzado antideslizante.
- Recójase el pelo largo.
- Remánguese las mangas largas por encima del hombro.
- Los niveles de ruido varían considerablemente. Para evitar posibles lesiones de oído, utilice tapones o cascos cuando utilice la cepilladora durante varias horas seguidas.
- La cepilladora puede lanzar objetos extraños a los ojos. Esto puede provocar lesiones permanentes en los ojos. Utilice gafas protectoras de seguridad (no gafas normales) que cumplan las normas CSA. Las gafas normales sólo son resistentes a los impactos. No son gafas de seguridad.
- Para operaciones que generen mucho polvo, utilice una máscara contra el polvo además de las gafas de seguridad.

6. INSPECCIONE LA PIEZA DE TRABAJO:

- Asegúrese de que no hay tornillos ni objetos extraños en ninguna parte de la pieza de trabajo que se va a cepillar.

7. PLANIFIQUE EL CORTE:

- Las piezas de trabajo pequeñas o estrechas pueden retroceder al volcar sobre la mesa o el cabezal de corte.
- Para evitar el contacto con el cabezal de corte o el retroceso de la pieza de trabajo, no cepille piezas de trabajo cuya longitud sea inferior a los 5" (127 mm).
- No cepille madera cuyo grosor sea inferior a 1/2" (13 mm).
- No realice cortes a mano alzada. Guíe la pieza de trabajo con firmeza contra el tope y la superficie de la mesa. Asegúrese de que no hay ningún resto entre la pieza de trabajo y sus soportes.
- Tenga extremo cuidado con las piezas de trabajo largas, pequeñas o extrañas.
- Utilice un soporte adicional (mesas, caballetes, bloques) si le resulta difícil mantener la pieza de trabajo sobre la mesa. No utilice a otra persona como soporte adicional ni para ayudar a alimentar, sujetar o tirar de la pieza de trabajo.
- No corte más de una pieza de trabajo al mismo tiempo.
- No encienda la cepilladora antes de haber retirado de la mesa todos los elementos excepto la pieza de trabajo y los dispositivos de soporte relacionados.

8. EVITE EL ENCENDIDO ACCIDENTAL:

- Asegúrese de que el interruptor está en la posición OFF antes de enchufar la cepilladora a una toma de corriente.

CUANDO LA CEPILLADORA ESTÁ FUNCIONANDO** ADVERTENCIA**

NO PERMITA QUE LA FAMILIARIDAD (OBTENIDA POR EL USO FRECUENTE DE LA CEPILLADORA) PROVOQUE ERRORES POR DESCUIDO. RECUERDE QUE UN DESCUIDO DE UNA FRACCIÓN DE SEGUNDO ES SUFICIENTE PARA PROVOCAR UNA LESIÓN GRAVE.

1. MANTENGA A LOS NIÑOS ALEJADOS:

- Asegúrese de que los transeúntes permanecen alejados de la cepilladora.
- Antes de empezar a cortar con la cepilladora, deje que funcione durante un rato. Si emite sonidos extraños o vibra, deténgala inmediatamente. Apague la cepilladora. Desenchufe la cepilladora. No la vuelva a encender hasta que no localice y solucione el problema.

2. NO FUERCE LA HERRAMIENTA:

- Alimente la pieza de trabajo en la cepilladora lo bastante rápido como para permitir que la herramienta realice el corte sin bloquearse o atascarse.

3. ANTES DE LIBERAR EL MATERIAL ATASCADO:

- Apague la cepilladora.
- Espere a que se detengan todas las partes móviles.
- Desenchufe la cepilladora.

4. ANTES DE ABANDONAR LA CEPILLADORA:

- Apáguela.
- Desenchúfela.
- Convierta el taller en un lugar seguro para los niños. Cierre el taller con llave. Desconecte los interruptores maestros. Extraiga la llave de contacto de encendido. Guárdela en un lugar que esté fuera del alcance de los niños y de otras personas no cualificadas para utilizar la herramienta.

REQUISITOS ELECTRICOS Y SEGURIDAD

CONEXIÓN AL SUMINISTRO ELÉCTRICO

Compruebe que el suministro eléctrico y el enchufe usados son adecuados a su sierra de cinta. Mire la placa indicadora del motor o el régimen nominal en la sierra de cinta. Cualquier cambio deberá siempre ser realizado por un electricista cualificado.

ADVERTENCIA

Esta máquina debe ponerse a tierra.

Si esta máquina no está puesta a tierra correctamente podría causar una sacudida eléctrica. Asegúrese de que la salida del suministro eléctrico está puesta a tierra. Si tuviera duda, haga que un electricista cualificado la verifique.

ADVERTENCIA

Evite el contacto con los terminales del enchufe al introducir (sacar) el enchufe a (desde) la toma de corriente. El contacto podría causar una sacudida eléctrica severa.

USAR UN CABLE DE EXTENSIÓN

El uso de cualquier cable de extensión causará alguna pérdida de potencia. Para mantenerla al mínimo y evitar el sobrecalentamiento y quemado del motor, pida consejo a un electricista cualificado para determinar el tamaño mínimo de alambre para el cable de extensión.

El cable de extensión debe estar equipado con un enchufe del tipo puesto a tierra que encaje en la salida de suministro eléctrico en un extremo, y con una toma de corriente del tipo puesto a tierra que ajuste el enchufe de esta máquina en el otro extremo.

ADVERTENCIA

No eliminar aparatos eléctricos junto con los residuos domésticos municipales, utilizar centros de reciclaje por separado.

Póngase en contacto con su administración local para la información en cuanto a centros de reciclaje por separado.

Si los aparatos eléctricos son eliminados en tierra o vertederos, sustancias químicas pueden escaparse a las aguas subterráneas y entrar en la cadena de alimentos, dañando su salud y bienestar.

Al sustituir viejos aparatos eléctricos por uno nuevo, legalmente se obliga al almacenista a trasladar el viejo aparato a centros de reciclaje, sin cargo alguno.

ACCESORIOS Y ACOPLÉS

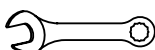
ACCESORIOS RECOMENDADOS

⚠ ADVERTENCIA

Visite el Departamento de componentes o consulte el Catálogo de herramientas eléctricas y manuales para adquirir los accesorios recomendados para esta herramienta eléctrica.

HERRAMIENTAS NECESARIAS PARA EL MONTAJE

Suministran

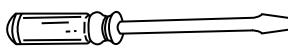


Llave



Llave hexagonal

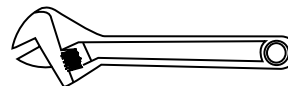
No se suministran



Destornillador ranurado



#2 Destornillador Phillips



Llave ajustable

CONTENIDO DE LA CAJA

DESEMBALAJE Y COMPROBACIÓN DEL CONTENIDO

Separe todas las piezas de los materiales de embalaje. Compare cada pieza con la ilustración que se incluye en la página siguiente y la “Tabla de piezas sueltas” para asegurarse de que tiene todos los elementos, antes de deshacerse del material de embalaje.

TABLA DE PIEZAS SUELTAS

ARTICULO	DESCRIPCION	CANTIDAD
A	Cepilladora	1
B	Pernos	2
C	Ménsula del cable de corriente	2
D	Llave hexagonal	1
E	Galgas de ajuste	2
F	Tapón	1
G	Llave	1
H	Perno	1
I	Cr. Re. Recipiente Hd. Tornillo roscador	3
J	Guía Del Polvo	1
K	Manivela	1
L	Patas del soporte	4
M	Travesaños cortos inferiores	2
N	Travesaños largos inferiores	2
O	Travesaños cortos superiores	2

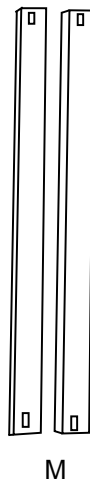
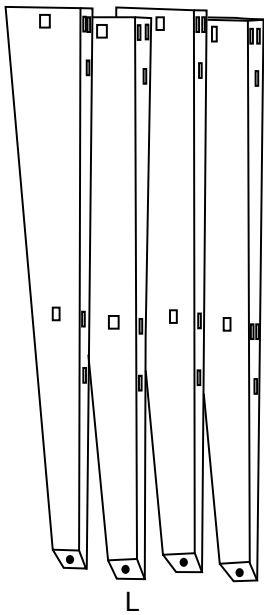
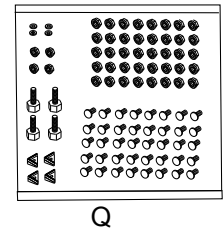
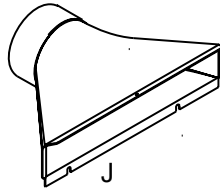
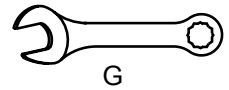
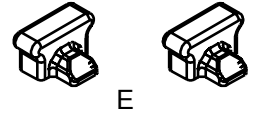
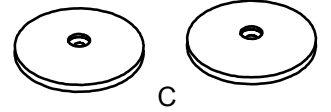
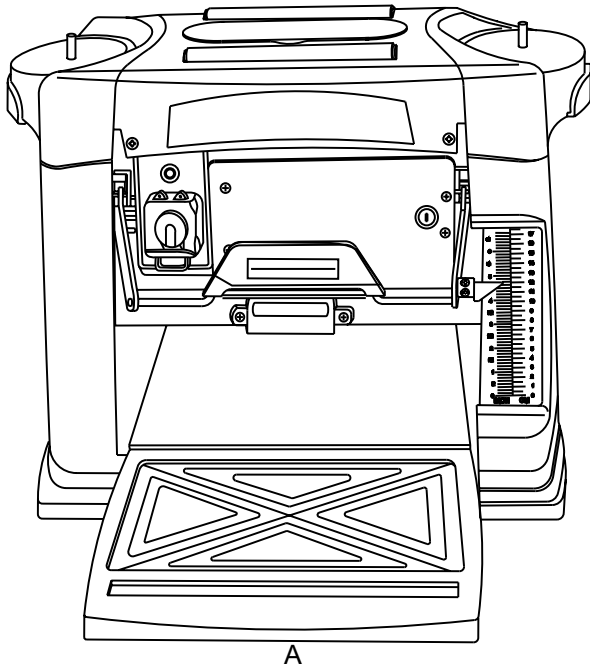
p	Travesaños largos superiores	2
	Base Antideslizante Para Pies	4
	Arandela Plana	4
	Tornillo De Cabeza Hexagonal	4
	Tornillo De Cabeza De Cazo	40
Q	leta En Cruz	40
	Dentado Estriado	4
	Tuerca Hexagonal con Brida	4
	Dentado Estriado	40
	Tuerca Hexagonal con Brida	40

⚠ ADVERTENCIA

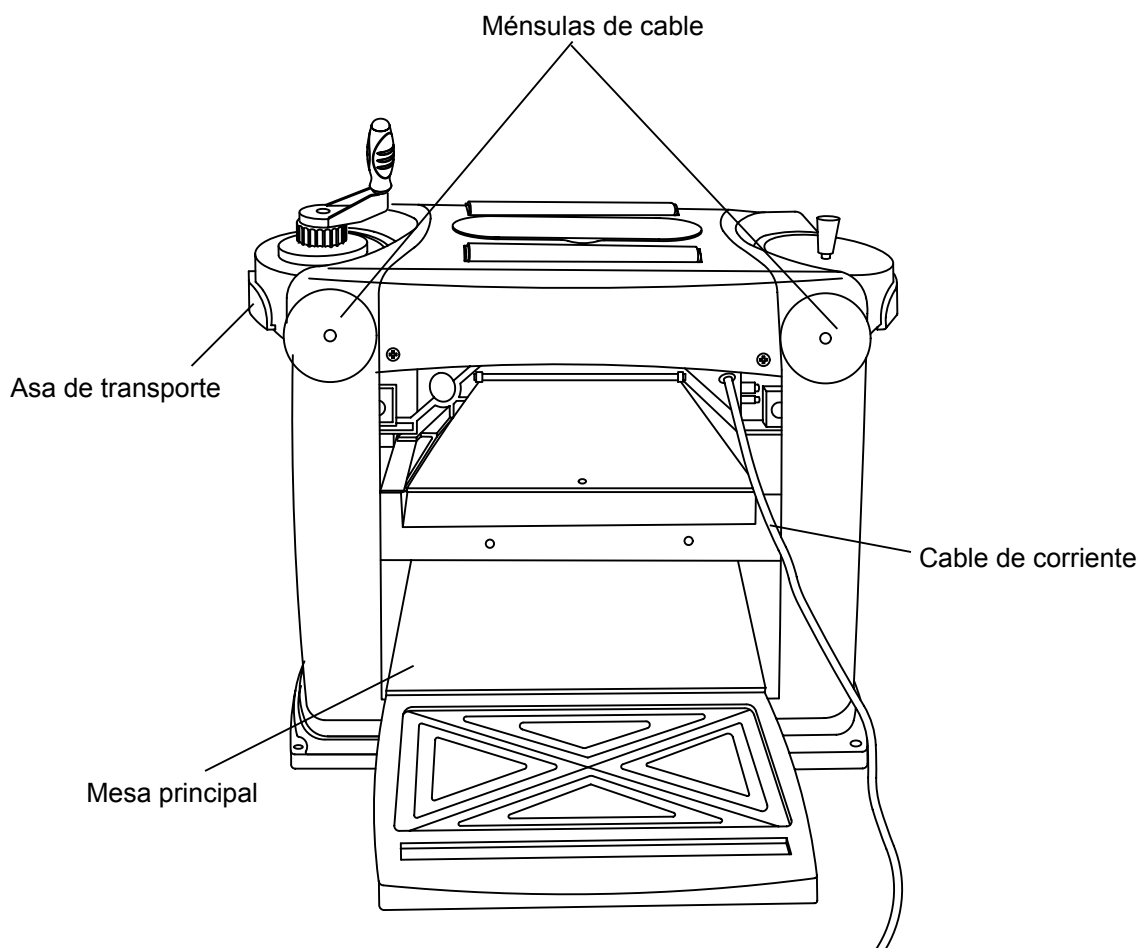
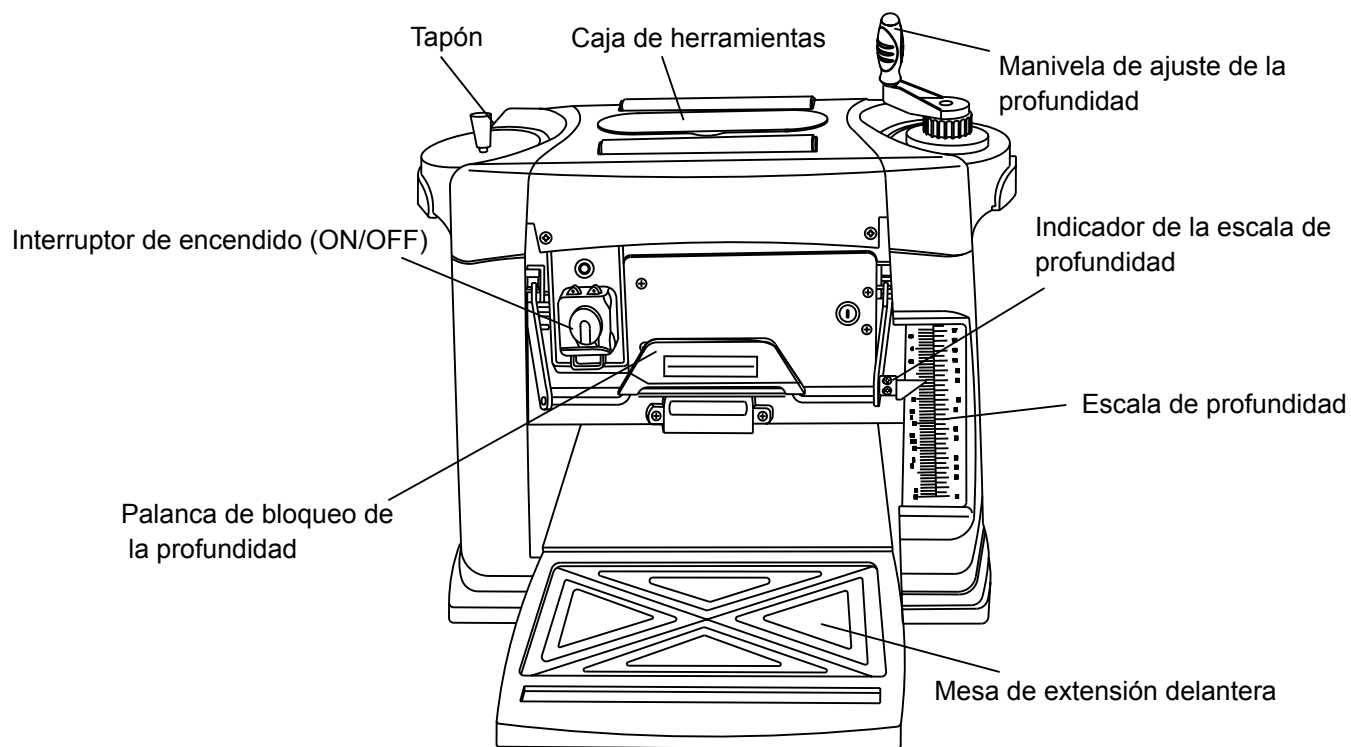
Si falta cualquier pieza o alguna de ellas está dañada, no intente montar la sierra de mesa, enchufar el cable de alimentación, ni encender el interruptor hasta que consiga la pieza que falta o está dañada y la instale correctamente.

NOTA: Para facilitar el montaje, reúna todo el contenido de la caja. Aplique una capa de cera de automóvil a la mesa. Limpie minuciosamente todas las piezas con un trapo limpio y seco. Esto reducirá la fricción al empujar la pieza de trabajo.

DESEMBALAJE



CONOZCA SU CEPILLADORA



MONTAJE Y AJUSTES

⚠ ADVERTENCIA

No conecte nunca el enchufe a la toma de corriente eléctrica hasta que no haya completado todas las instalaciones y ajustes, y haya leído y entendido las instrucciones de seguridad y funcionamiento.

TIEMPO DE MONTAJE ESTIMADO: 20-35 MINUTOS INSTRUCCIONES DE MONTAJE

Saque la herramienta del embalaje y colóquela sobre el banco de trabajo. Abra con cuidado las mesas de extensión delantera y trasera, y saque la bolsa de piezas sueltas y el cable de corriente.

MONTAJE DEL SOPORTE (FIG. A)

1. Desembale todas las piezas y ordénelas por tipo y tamaño. Consulte la lista de piezas en la página 58 para comprobar las cantidades correctas.
 2. Fije el travesaño largo superior (4) a la parte superior de la pata (1) y a la pata adyacente mediante pernos (2) y tuercas (5) de carrocería.
- NOTA: No apriete los pernos hasta el paso 7.**
3. Fije el travesaño largo inferior (3) a la parte inferior de la pata (1) y a la pata adyacente mediante pernos y tuercas de carrocería.
 4. Repita la misma operación en el lado opuesto del soporte.

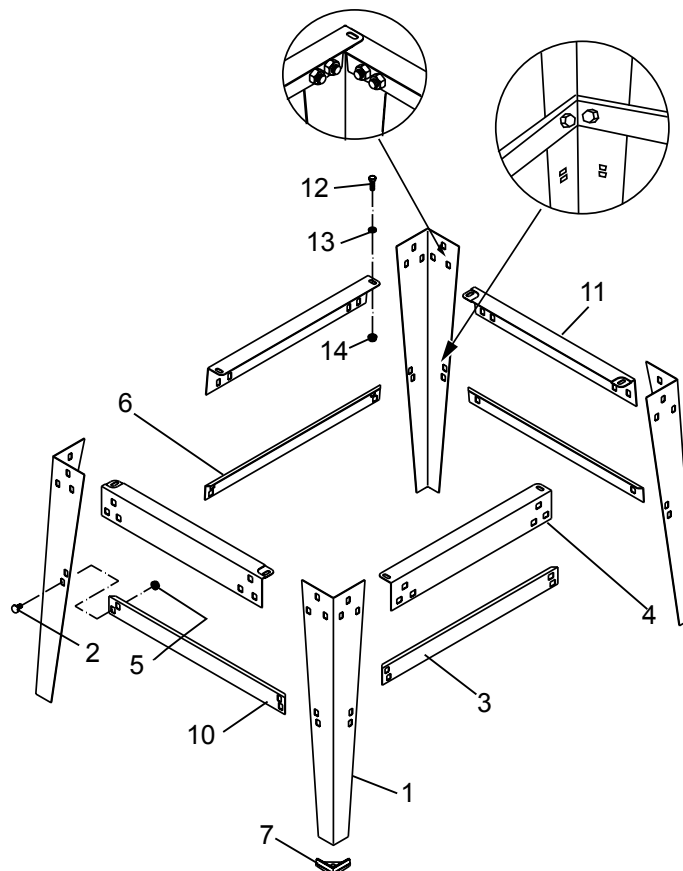
5. Conecte la parte delantera y trasera del soporte con los travesaños cortos superior (11) e inferior (10) mediante pernos y tuercas de carrocería.
6. Coloque los terminales (7) en las patas.
7. Coloque el soporte sobre una superficie nivelada y asegúrese de que todas las patas están en contacto con el suelo y forman un ángulo similar con el mismo. Apriete todos los pernos.

FIJE LA CEPILLADORA AL SOPORTE

1. Coloque la cepilladora con cuidado sobre el soporte.
2. Alinee los cuatro orificios de montaje de la base de la herramienta con los del soporte.
3. Fije la cepilladora al soporte mediante pernos (12), arandelas (13) y tuercas (14) de montaje (véase la Fig. A).
4. Apriete todas las tuercas.

NOTA: NO APRIETE DEMASIADO LAS TUERCAS.

Fig. A

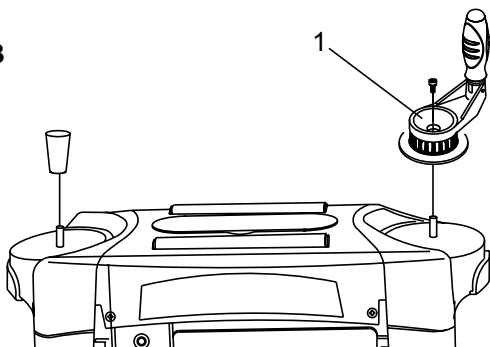


INSTALACIÓN DE LA MANIVELA DE AJUSTE DE LA PROFUNDIDAD (FIG. B)

1. Coloque la manivela de ajuste de la profundidad (1) en la parte derecha, encima de la máquina.
2. Inserte el tornillo de cabeza hexagonal en la manivela. Apriételo.
3. Presione el tapón del lado izquierdo.

NOTA: La manivela de ajuste de la profundidad se puede instalar en el lado derecho o en el lado izquierdo. La ilustración muestra la manivela en el lado derecho.

Fig. B

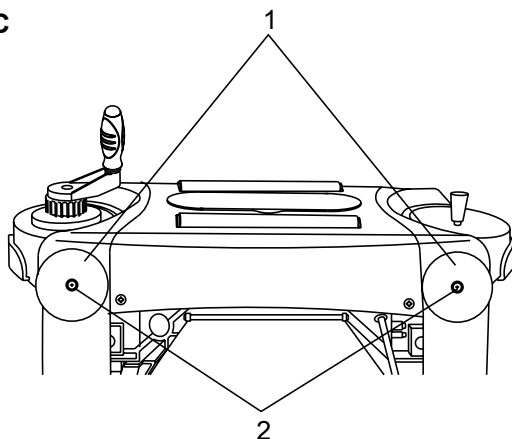


INSTALACIÓN DE LAS MÉNSULAS DEL CABLE DE CORRIENTE (FIG. C)

Las ménsulas del cable de corriente (1) están destinadas a facilitar el almacenamiento del cable.

1. Fije las ménsulas del cable de corriente a la parte posterior del cuerpo de la herramienta, tal y como se muestra, con dos tornillos (2).
2. Apriete los tornillos (2).

Fig. C



AJUSTE

NOTA: Esta herramienta viene ajustada de forma precisa de fábrica. Compruebe la precisión y reajuste la herramienta si es necesario para obtener los mejores resultados durante el funcionamiento.

⚠ ADVERTENCIA

Para evitar sufrir lesiones por un encendido accidental, asegúrese de que el interruptor está en la posición OFF y el enchufe no está conectado a la toma de corriente.

AJUSTE DE LA MESA DE EXTENSIÓN (FIG. D, D-1)

1. Tire hacia fuera de la palanca de bloqueo del abezal de corte.
2. Desbloquee el cabezal.
3. Gire la manivela de ajuste de la profundidad para levantar el cabezal.
4. Coloque un borde recto sobre las mesas de extensión y la mesa principal.
5. Presione el borde hacia abajo contra las extensiones de la mesa para eliminar cualquier huelgo.
6. Si es necesario realizar algún ajuste, pliegue hacia arriba la mesa de extensión, afloje la tuerca (3) y ajuste el perno (4) hasta que las mesas estén niveladas.

Fig. D

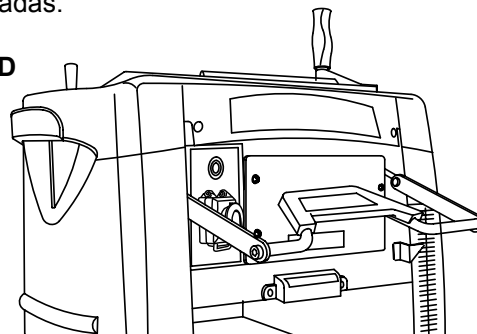
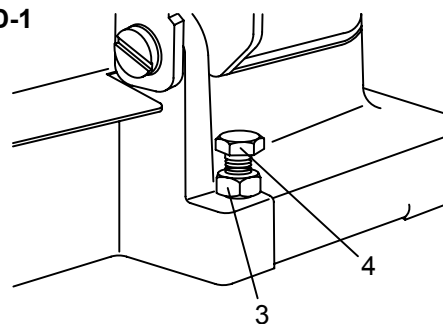


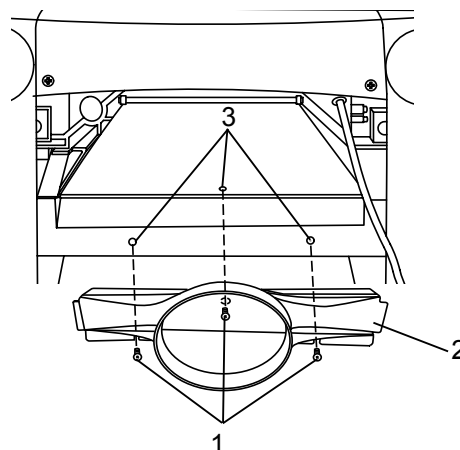
Fig. D-1



MONTAJE DEL COLECTOR DE POLVO (FIG. E)

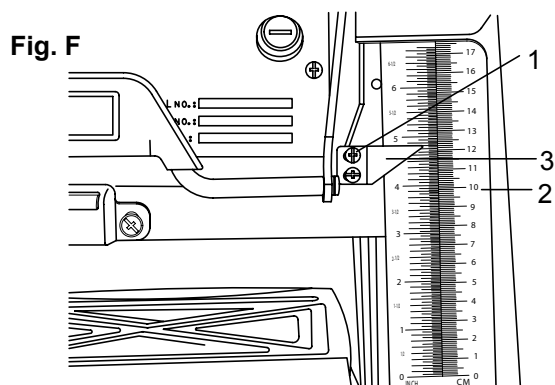
1. Colocar el colector de polvo (2) en la parte posterior de la cepilladora, tal como se indica, con los tres tornillos (1).
2. Enroscar los tres tornillos (1) en los agujeros pre-taladrados (3) en la parte posterior de la cepilladora.
3. Apriete los tornillos.

Fig. E



AJUSTE DE LA ESCALA DE PROFUNDIDAD (FIG. F)

1. Pruebe a cepillar un tablero.
2. Compare el grosor del tablero medido con la lectura de la escala de profundidad (2).
3. Si la lectura de la escala de profundidad no es correcta, afloje los tornillos (1) que aprietan el indicador (3) y ajústelos hasta que se muestre la medición correcta.
4. Compruebe de nuevo la lectura cepillando otra madera de sobra. Revise el resultado y vuelva a ajustarlo si es necesario.

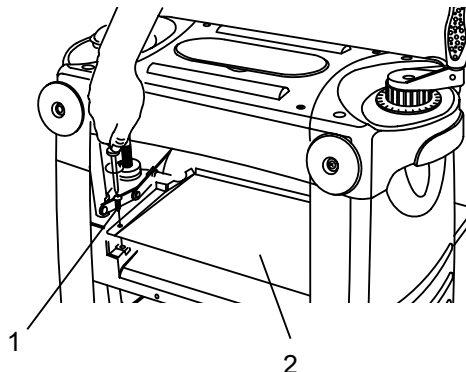
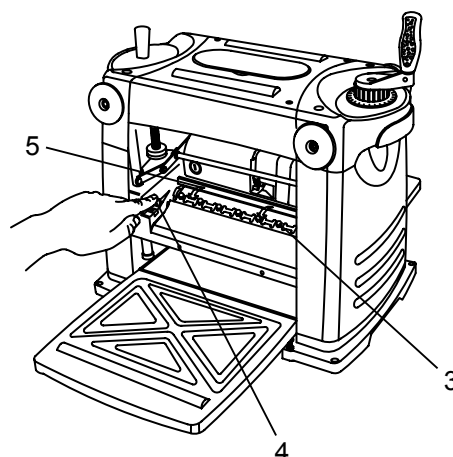
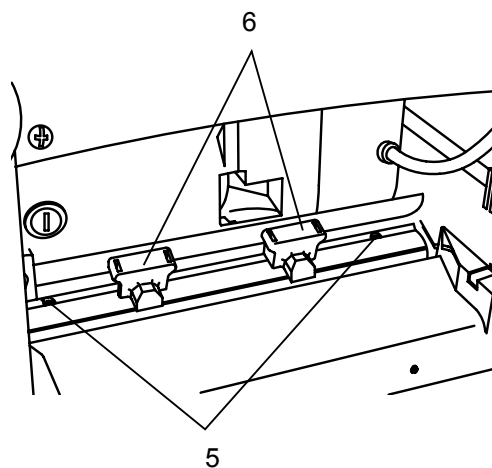


⚠ ADVERTENCIA

Para evitar sufrir lesiones por un encendido accidental, asegúrese de que el interruptor está en la posición OFF y el enchufe no está conectado a la toma de corriente.

AJUSTE DE LA ALTURA DE LA CUCHILLA (FIG. G, G-1, H)

1. Extraiga los dos tornillos (1) con un destornillador y luego retire el protector contra el polvo (2). (Fig. G)
2. Afloje los ocho tornillos de cabeza hexagonal (3) con la llave suministrada.
3. Presione el pasador del árbol y gire el cabezal de corte hasta que queden al descubierto dos pernos hexagonales (5). (Fig. G-1)
4. Coloque la galga de ajuste de la cuchilla (6) (Fig. H) en el cabezal de corte con las dos guías bien pegadas a la cuchilla.
5. Afloje o apriete los tornillos hexagonales (5) hasta que la cuchilla toque la galga de ajuste de la cuchilla.
6. Apriete los ocho tornillos (3) de cabeza hexagonal on la llave suministrada.
7. Vuelva a colocar el protector (2) contra el polvo y fíjelo con los dos tornillos(1).

Fig. G**Fig. G-1****Fig. H**

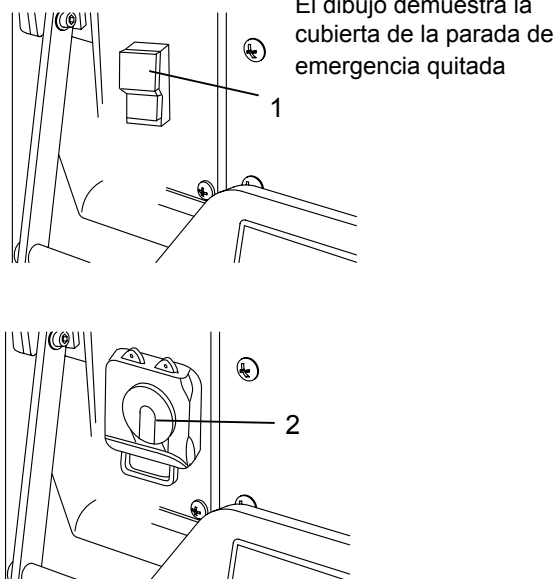
FUNCIONAMIENTO

INTERRUPTOR DE DESCONEXIÓN DE VOLTAJE (DDV) PARA LA CEPILLADORA (FIG. I)

Su cepilladora está equipada con un interruptor de desconexión de voltaje (DDV) con tapa de parada de emergencia. Este dispositivo nos facilita parar inmediatamente la cepilladora en caso necesario de urgencia.

El interruptor principal, interruptor de desconexión de voltaje (DDV) (1), se encuentra en la parte delantera de la cepilladora. Presione "1" para conectar; presione "0" para desconectar. Si accidentalmente se interrumpe, presione "1" para reiniciar, tan solo pulsando la tapa de parada de emergencia (2) podrá parar el funcionamiento de la cepilladora en condiciones de urgencia.

Fig. I



OPERACIONES DE LA CEPILLADORA

⚠ ADVERTENCIA

1. Deje que el motor adquiera la velocidad máxima antes de empezar a cortar.
2. Alimente siempre el trabajo en la dirección que permita que las hojas de la cepilladora corten las piezas en el sentido de la fibra. Si alimenta las piezas a contrafibra, las hojas pueden levantar la fibra de la superficie de trabajo y producir un aspecto desigual.
3. Retire todos los objetos extraños de la pieza de trabajo. No cepille una madera que esté llena de nudos o deformada.
4. La cepilladora funciona mejor con una superficie plana, como mínimo. Coloque la superficie plana hacia abajo en la mesa.

5. No cepille más de 3 mm en una pasada.
6. La profundidad de corte adecuada viene determinada por la anchura del tablero y la resistencia del mismo.
7. Asegúrese de que los tableros largos se mantienen nivelados con la mesa en la parte delantera y trasera de la cepilladora. Utilice el soporte de rodillo de extensión si es necesario.
8. No reciba el tablero con las manos hacia el interior de la mesa de extensión trasera.
9. Si necesita cortar a una altura específica (19mm, 6mm, 12mm). Mueva el lado derecho del nivel de altura hasta la posición deseada. (Fig. L)

1. Tire hacia fuera de la palanca de bloqueo del cabezal de corte (1). (Fig. J)
2. Desbloquee el cabezal de corte.
3. Baje el cabezal de corte hasta que toque la pieza de trabajo.
4. Ajuste el cuadrante de la profundidad de corte en la marca "3mm".
5. Eleve la hoja de corte un poco y retire la pieza de trabajo.
6. Ajuste la profundidad de corte en el grosor final deseado para el tablero.
7. Bloquee el cabezal de corte.
8. Empuje la palanca de bloqueo del cabezal de corte (1). (Fig. K)
9. Introduzca el tablero bajo el rodillo alimentador para que se desplace recto. Cuando el rodillo alimentador lo agarre, suelte el tablero y sepárese (fuera del alcance de cualquier retroceso).
10. Si el tablero es largo, colóquelo sobre la cepilladora y échelo hacia la parte delantera para volverlo a cepillar.

Fig. J

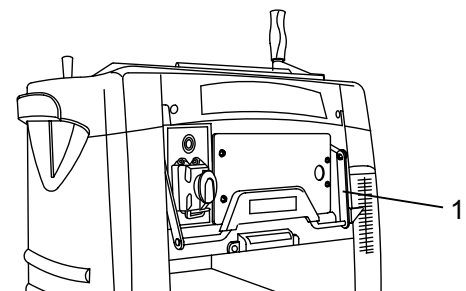


Fig. K

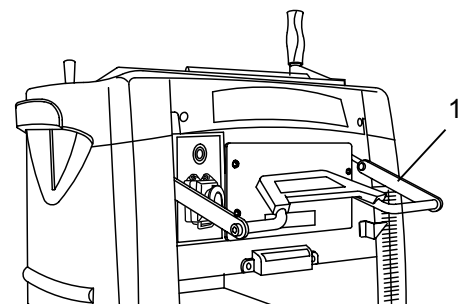
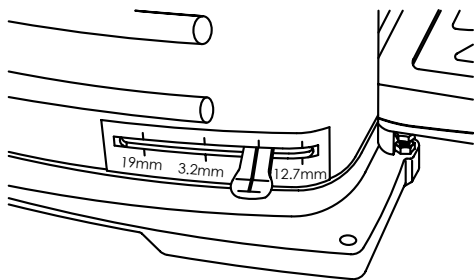


Fig. L

**NOTA:**

1. La mejor forma de conseguir un cepillado con un acabado suave y el grosor adecuado consiste en realizar cortes ligeros en el tablero.
2. Para obtener los mejores resultados, cepille los dos lados de la pieza de trabajo para conseguir el grosor deseado.
3. Si se produce un corte en bisel, (el corte en bisel es una depresión que se crea cuando los extremos de la pieza de trabajo entran en contacto con las cuchillas), asegúrese de que las tablas de extensión y los soportes están nivelados con la mesa principal, y que el lado plano de la pieza de trabajo está contra las mesas.
4. Para piezas de trabajo arqueadas, se recomienda eliminar el arco con una garlopa.
5. Para las piezas de trabajo ahuecadas o deformadas, cepille la parte superior para dejarla plana y luego dé la vuelta a la pieza para cepillar la parte inferior.

CAMBIO DE HOJAS (FIG. M, N, O)

NOTA: Los accesorios de cambio de hoja se guardan en la caja de herramientas.

⚠ ADVERTENCIA

Para evitar sufrir lesiones por un encendido accidental, apague siempre el interruptor y desenchufe el cable de la toma de corriente antes de cambiar las hojas.

1. Gire la manivela para bajar el cabezal de corte hasta una altura de 2" (50 mm).
2. Extraiga todos los tornillos (1) para retirar la cubierta y el protector contra el polvo (2) (Fig. M).
3. Presione el pasador del árbol (3) y gire el cabezal de corte hasta que los ocho tornillos de cabeza hexagonal queden al descubierto (4) (Fig. N).
4. Extraiga los ocho pernos de cabeza hexagonal (4) con la llave suministrada. (Fig. O)
5. Extraiga con cuidado la placa de fijación (5) levantándola recta hacia arriba (Fig. O).
6. Extraiga con cuidado la hoja (6) levantando los dos extremos rectos hacia arriba (Fig. O).
7. La hoja tiene dos bordes cortantes. Si desea usar el otro lado de la hoja o cambiar la hoja, coloque la hoja en el cabezal de corte colocando los dos orificios ranurados de la hoja sobre las patillas de localización del cabezal de corte (Fig. O).

Fig. M

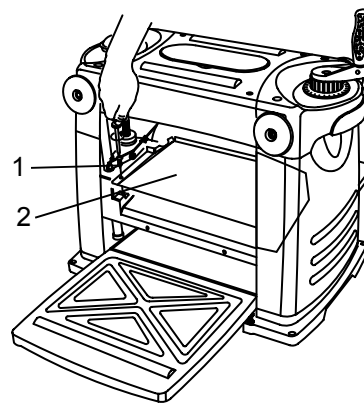


Fig. N

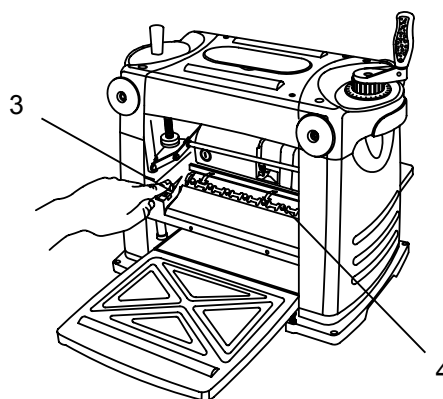
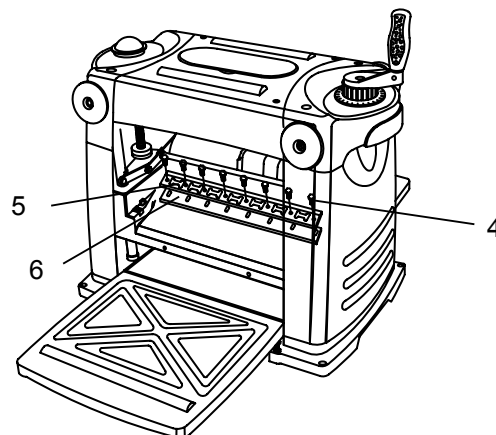


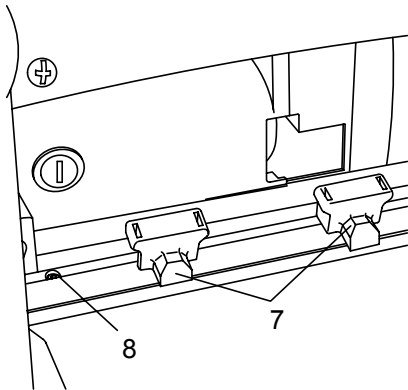
Fig. O



8. Ajuste ligeramente la posición de la hoja para que se sitúe de forma uniforme en el centro del cabezal de corte.
9. Vuelva a colocar la placa de sujeción (5), atornille los ocho pernos de cabeza hexagonal (4), pero no los apriete. (Fig. O)
10. Coloque las galgas de ajuste de la hoja (7) en el cabezal de corte con las dos galgas bien pegadas a la hoja. (Fig. P)
11. Gire los dos tornillos de ajuste (8) hasta que la hoja toque las galgas de ajuste de la hoja.
12. Extraiga las galgas de ajuste de la hoja y luego gire el cabezal de corte para que queden al descubierto los ocho tornillos de cabeza hexagonal (4-Fig. O). Apriete todos los pernos con la llave hexagonal suministrada.
13. Vuelva a colocar la cubierta contra el polvo y fijela con los dos tornillos.

NOTA: La cepilladora no empezará a funcionar hasta que la tapa de polvo y el protector del cabezal de corte no estén bien instalados.

Fig. P



MANTENIMIENTO

⚠ ADVERTENCIA

No ponga nunca lubricantes en la hoja mientras ésta está girando.

Para evitar un incendio o una reacción tóxica, no utilice nunca gasolina, acetona de nafta, disolvente de barniz o disolventes similares altamente volátiles para limpiar la cepilladora.

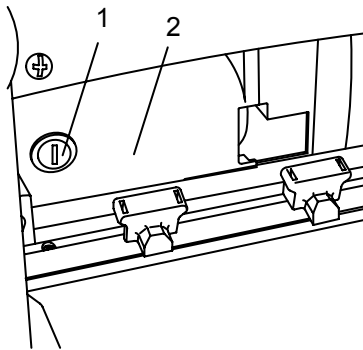
Para evitar lesiones por un encendido inesperado o una descarga eléctrica, desenchufe el cable de corriente antes de trabajar en la herramienta.

Por motivos de seguridad, esta herramienta está doblemente aislada. Para evitar una descarga eléctrica, un incendio o lesiones, utilice únicamente piezas idénticas a las que se indican en la lista de piezas. Vuelva a montar la herramienta tal y como estaba montada originalmente para evitar una descarga eléctrica.

SUSTITUCIÓN DE LAS ESCOBILLAS DE CARBÓN (FIG. Q)

Las escobillas de carbón suministradas durarán aproximadamente 50 horas de funcionamiento o 10.000 ciclos de encendido/apagado. Cambie las dos escobillas de carbón cuando la longitud del carbón restante en cualquiera de ellas sea inferior a 1/4" (6,35mm), o bien si el muelle o el cable están dañados o quemados. Para inspeccionar o sustituir las escobillas, desenchufe primero la herramienta. A continuación, extraiga el tapón de plástico negro (1) del lateral del motor (2). Extraiga el tapón con cuidado, porque puede saltar. A continuación, saque las escobillas y sustitúyala. Sustituya el otro lado. Para volver a montar las piezas, siga el procedimiento inverso. Los bordes del extremo metálico del conjunto se encajan en las mismas ranuras que la parte de carbón. Apriete el tapón hasta que quede bien ajustado, pero no lo apriete en exceso.

Fig. Q



NOTA: Para volver a instalar las mismas escobillas, asegúrese primero de que inserta las escobillas de la misma forma que las sacó. Esto evitará un período de rodaje que reduce el rendimiento del motor y aumenta el desgaste.

SUSTITUCIÓN DE LA CORREA TRAPEZOIDAL

Una tensión inadecuada en la correa trapezoidal hará que ésta se suelte de la polea del motor o de la polea de tracción. Si la correa está suelta, debe ser sustituida. Para sustituir la correa trapezoidal:

- Apague la cepilladora y desenchúfela de la toma de corriente.
- Afloje y extraiga los tornillos del panel derecho. Extraiga el panel.
- Extraiga la correa antigua sacándola de las poleas del motor y de tracción de forma alternativa. Tire suavemente de la correa mientras gira las poleas al mismo tiempo.
- Inserte la nueva correa. Coloque la correa en las poleas siguiendo el procedimiento inverso a cuando extrajo la correa.
- Asegúrese de que la correa está bien asentada en el motor y en las ranuras de la polea de tracción.
- Vuelva a colocar y fije el panel derecho.

LUBRICACIÓN

- Los cojinetes del motor y el cabezal de corte están sellados y no necesitan lubricación.
- Los engranajes y los tornillos de elevación se deben limpiar para eliminar los restos y la grasa.
- A las mesas se les puede dar una capa de lubricante (por ejemplo, cera de muebles) para hacer que la pieza de trabajo se alimenta con mayor suavidad. Asegúrese de que el lubricante utilizado no afecta a la posibilidad de acabar la pieza de trabajo con barniz, tapaporos, etc. No utilice ningún lubricante que contenga una base de silicona.

LIMPIEZA DE LA CEPILLADORA

Mantenga la cepilladora limpia. Tras 10 horas de funcionamiento, elimine las virutas de madera, el polvo, la suciedad y los restos.

GUIA PARA LA SOLUCION DE PROBLEMAS

⚠ ADVERTENCIA

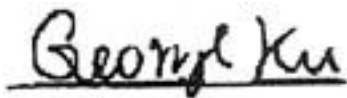
Para evitar lesiones por encendidos accidentales, ponga el interruptor en la posición de APAGADO y desconecte siempre el enchufe de la fuente de energía antes de realizar los ajustes.

- Si por cualquier motivo el motor no funciona, póngase en contacto con el centro de reparaciones autorizado de Hitachi.

PROBLEMA	CAUSAS DEL PROBLEMA	SOLUCION
Corte en bisel (ranurado en los extremos del tablero)	<ol style="list-style-type: none"> 1. Las hojas están melladas 2. El soporte es inadecuado para tableros largos 3. Se está ejerciendo una fuerza desigual en el cabezal de corte. 4. El alojamiento de los rodillos no está nivelado con la base. 5. La madera no está bien ensamblada 	<ol style="list-style-type: none"> 1. Sustituya las hojas siguiendo las instrucciones. Consulte la sección CAMBIO DE HOJAS. 2. Provea un soporte adecuado para tableros largos. Consulte la sección Cómo evitar el corte en bisel. 3. Empuje el tablero suavemente en cuanto el tablero entre en contacto con un rodillo de alimentación. Consulte la sección Cómo evitar el corte en bisel. 4. Ajuste el alojamiento de los rodillos. Consulte la sección Ajuste. 5. Ensamble cada pieza de material de extremo a extremo a medida que los tableros pasan por la cepilladora.
Fibra desigual	Se está cepillando madera con un gran contenido de humedad	Elimine el alto contenido de humedad de la madera secándola.
Fibra rota	<ol style="list-style-type: none"> 1. El corte es demasiado profundo 2. Las hojas están cortando a contrafibra 3. Las hojas están melladas 	<ol style="list-style-type: none"> 1. Consulte la sección FUNCIONAMIENTO. 2. Consulte la sección FUNCIONAMIENTO. 3. Sustituya las hojas siguiendo las instrucciones. Consulte la sección CAMBIO DE HOJAS.
Fibra levantada y rugosa	<ol style="list-style-type: none"> 1. Las hojas están melladas 2. El corte es demasiado profundo 3. La madera tiene demasiada humedad 	<ol style="list-style-type: none"> 1. Sustituya las hojas siguiendo las instrucciones. Consulte la sección CAMBIO DE HOJAS. 2. Consulte la sección FUNCIONAMIENTO. 3. Seque la madera o utilice madera seca.
Profundidad del corte desigual (de lado a lado)	El alojamiento de los rodillos no está nivelado con la cepilladora	El alojamiento de los rodillos no está nivelado. Consulte la sección AJUSTE.
Dificultad para ajustar la elevación del alojamiento de los rodillos	<ol style="list-style-type: none"> 1. Los engranajes están sucios 2. Los tornillos de elevación están sucios 3. Los engranajes y los tornillos de elevación están desgastados 4. Hay fricción entre el alojamiento de los rodillos y las cubiertas 5. El alojamiento de los rodillos no está paralelo a la base de la cepilladora 6. El alojamiento de los rodillos está bloqueado 	<ol style="list-style-type: none"> 1. Limpie y lubrique los engranajes. 2. Limpie y lubrique los tornillos de elevación. 3. Sustituya los engranajes y el tornillo de elevación. 4. Limpie y lubrique. 5. Ajuste el alojamiento de los rodillos. Consulte la sección AJUSTE. 6. Desbloquee el alojamiento de los rodillos.
El tablero entra, pero se detiene tras pasar el rodillo de salida	<ol style="list-style-type: none"> 1. Los rodillos de salida no pueden girar porque tienen virutas atascadas 2. La pieza de trabajo larga ejerce demasiada presión sobre el cabezal de hoja cutterhead from long workpiece 	<ol style="list-style-type: none"> 1. Elimine las virutas atascadas, utilice una tolva de virutas y un colector de polvo. 2. Utilice soportes para sujetar una pieza de trabajo cuya longitud supere los 24". workpiece longer than 24".
El grosor del tablero no coincide con la escala de profundidad del corte	El indicador no está bien ajustado	Ajuste el indicador y apriételo de forma segura.
La cadena salta	<ol style="list-style-type: none"> 1. Las ruedas dentadas están desgastadas 2. La cadena está desgastada 	<ol style="list-style-type: none"> 1. Sustituya las ruedas dentadas. 2. Sustituya la cadena.
La cepilladora no funcionará	<ol style="list-style-type: none"> 1. La cepilladora no tiene corriente 2. Se ha activado el sistema de protección de sobrecarga del motor 3. Hay un interruptor o un cable defectuoso o suelto 	<ol style="list-style-type: none"> 1. Póngase en contacto con un electricista cualificado para que revise la fuente de alimentación. 2. Apague la cepilladora. Restablezca el sistema de protección contra la sobrecarga del motor. 3. Póngase en contacto con un electricista cualificado para que revise el interruptor y los cables.
La correa resbala	La correa está suelta	Sustituya la correa, consulte la sección Sustitución de la correa trapezoidal.
El alojamiento de los rodillos no se puede bajar	El ajuste de la galga de grosor de la pieza de trabajo restringe el movimiento del alojamiento de los rodillos.	Restablezca el ajuste de la galga de grosor.

DECLARACIÓN DE CONFORMIDAD-CE

Rexon Industrial Corp., Ltd. declara que esta cepilladora portátil, Modelo P13F, cumple con las Directiva 73/23/EEC de Bajo Voltaje y la Enmienda Directiva 89/336/EEC, y la Directiva de Maquinaria Anexo 1 de 98/37/EC, y la directiva EMC 89/336/EEC.



George Ku, Director de Marketing

Fecha: 1 Diciembre 2006

Rexon Industrial Corp., Ltd.

261 Jen Hwa Road

Tali, Taichung 412

Taiwan, R.O.C.

⚠ ПРЕДОСТЕРЕЖЕНИЕ

Пыль, образующаяся в результате шлифовки, пиления, обточки, сверления и других механических работ, содержит химические вещества, которые могут стать причиной раковых заболеваний, врожденных пороков или других патологий. Некоторые примеры таких химических веществ:

- Лакокрасочные вещества на свинцовой основе
- Кристаллические кремнеземы, содержащиеся в кирпичных, цементных и других строительных изделиях
- Мышьяк и хром, содержащийся в химически обработанном лесоматериале

Риск воздействия данных веществ на организм различен и зависит от того, как часто вы выполняете подобного рода работы. Для снижения вредного воздействия химических веществ, необходимо работать в хорошо вентилируемом помещении, использовать специальные защитные приспособления, такие как пылезащитные маски, специально разработанные для фильтрации микрочастиц.

ТЕХНИЧЕСКИЕ ХАРАКТЕРИСТИКИ ИЗДЕЛИЯ**13 ДЮЙМОВЫЙ ПРОДОЛЬНО-СТРОГАЛЬНЫЙ СТАНОК**

ДВИГАТЕЛЬ.....	230 В, 50Гц
Мощность.....	1800
Сила тока.....	8 А (230 V)
Максимальная ширина заготовки.....	13 дюймов (330 мм)
Толщина среза.....	не менее 1/8 дюйма (3.2 мм)
Максимальная глубина среза.....	3/32 дюйма (2.4 мм)
Скорость подачи.....	0.12 м/с
Количество лезвий.....	2
Скорость вращения (без нагрузки).....	9,250 об/мин
Вес.....	101,4 фунта (46 кг)

Уровень шума, издаваемый данным станком во время работы:

максимальный уровень звукового давления: 100.2 dB(A)

максимальный уровень звуковой мощности: 112 dB(A)

⚠ ПРЕДОСТЕРЕЖЕНИЕ

Во избежание поражения электрическим током, опасности возгорания или повреждения продольно-строгального станка необходимо использовать соответствующую защиту электрической цепи.

Продольно-строгальный станок снабжен электропроводкой, рассчитанной на работу под напряжением 230 Вольт. Необходимо подсоединить станок к размыкателю цепи или предохранителю с задержкой на срабатывание с параметрами 230 Вольт / 8 ампер.

Во избежание поражения электрическим током или возгорания следует немедленно заменить шнур электропитания в случае его износа, разрыва или повреждения.

Перед началом работы на продольно-строгальном станке строго рекомендуется прочитать и уяснить изложенные правила техники безопасности. Несоблюдение данных правил может привести к серьезным травмам или повреждению станка.



Наденьте защитные очки
Наденьте защитные наушники
Наденьте респиратор

⚠ ПРЕДОСТЕРЕЖЕНИЕ

Шум может быть опасен для здоровья. Когда уровень шума превышает 85 Дб(А), обязательно наденьте наушники.

ОХРАНА ОКРУЖАЮЩЕЙ СРЕДЫ

Защита окружающей среды
Перерабатывайте ненужные материалы вместо утилизации их как отходы. Все инструменты, шланги и упаковка должны быть отсортированы, сданы в местный перерабатывающий центр и утилизированы без ущерба окружающей среде.

МЕРЫ БЕЗОПАСНОСТИ ПРИ РАБОТЕ С ЭЛЕКТРОИНСТРУМЕНТОМ

Полная безопасность может быть гарантирована только при сочетании таких факторов как здравый смысл, предельная осторожность и отличное знание устройства и работы станка.

⚠ ПРЕДОСТЕРЕЖЕНИЕ

ВО ИЗБЕЖАНИЕ ОШИБОК, КОТОРЫЕ МОГУТ ПРИВЕСТИ К СЕРЬЕЗНЫМ ТРАВМАМ, ЗАПРЕЩАЕТСЯ ВКЛЮЧАТЬ СТАНОК ПРЕЖДЕ, ЧЕМ ВЫ ПРОЧИТАЕТЕ И УЯСНИТЕ СЛЕДУЮЩИЕ ПРАВИЛА ТЕХНИКИ БЕЗОПАСНОСТИ:

1. **ПРОЧИТАЙТЕ** и усвойте всю информацию, изложенную в настоящем руководстве по эксплуатации. **ИЗУЧИТЕ** устройство станка, эксплуатационные ограничения и возможные риски
2. **ЗАПРЕЩАЕТСЯ ИСПОЛЬЗОВАТЬ СТАНОК В ОПАСНОЙ СРЕДЕ**, т.е. в сырых и влажных местах или под дождем. Рабочая зона должна быть хорошо освещена.
3. **ЗАПРЕЩАЕТСЯ** использовать станок вблизи легковоспламеняющихся жидкостей или газов.
4. **ВСЕГДА** поддерживайте порядок и чистоту в рабочей зоне. Обеспечьте хорошее освещение. **НЕ** работайте на скользкой от опилок или воска поверхности пола.
5. **ПОСТОРОННИЕ ЛИЦА ДОЛЖНЫ НАХОДИТЬСЯ НА БЕЗОПАСНОМ РАССТОЯНИИ ОТ** рабочей зоны, в особенности при работе с электроинструментом. **НИКОГДА** не подпускайте детей к инструменту.
6. **НЕ ПЫТАЙТЕСЬ** выполнить работу, для которой инструмент не предназначен.
7. **НАДЕВАЙТЕ СПЕЦИАЛЬНУЮ ОДЕЖДУ. ЗАПРЕЩАЕТСЯ** работать в свободной одежде, перчатках, галстук, кольцах, браслетах или других украшениях, которые могут попасть в движущиеся части. Рекомендуются надевать обувь на нескользкой подошве, а также головной убор, если у вас длинные волосы.
8. **НАДЕВАЙТЕ МАСКУ ИЛИ РЕСПИРАТОР.** При работе с инструментом образуется пыль.
9. **ВСЕГДА** отсоединяйте шнур от источника электропитания при осуществлении регулировок, замене деталей, чистке или техническом обслуживании станка.
10. **ОГРАДИТЕЛЬНЫЕ УСТРОЙСТВА ДОЛЖНЫ БЫТЬ ИСПРАВНЫ И НАХОДИТЬСЯ В СПЕЦИАЛЬНО ПРЕДНАЗНАЧЕННЫХ ДЛЯ НИХ МЕСТАХ.**
11. **ИСКЛЮЧИТЕ РИСК СЛУЧАЙНОГО ВКЛЮЧЕНИЯ СТАНКА.** Убедитесь, что выключатель находится в положении **ВЫКЛ.** перед тем как подсоединить станок к источнику питания.
12. **УБЕРИТЕ РЕГУЛИРОВОЧНЫЕ ПРИСПОСОБЛЕНИЯ. ВСЕГДА ПРОВЕРЯЙТЕ** перед включением, что все другие инструменты удалены со строгального станка.
13. **НИКОГДА НЕ ОСТАВЛЯЙТЕ ИНСТРУМЕНТ БЕЗ ПРИСМОТРА.** Переключите выключатель электропитания в положение **OFF** («**ВЫКЛ.**»). **НЕ** оставляйте инструмент до его полной остановки.
14. **ЗАПРЕЩАЕТСЯ ВСТАВАТЬ НА СТАНОК.** При опрокидывании станка или случайном прикосновении к режущему инструменту можно получить серьезную травму. **ЗАПРЕЩАЕТСЯ** хранить посторонние предметы на инструменте или рядом с ним.
15. **ВСЕГДА** стойте твердо на ногах и сохраняйте равновесие. Надевайте маслонепроницаемую обувь на резиновой подошве. Следите, чтобы пол был чистым, без масляных пятен, стружек и другого сора.
16. **НИКОГДА НЕ ОСТАВЛЯЙТЕ ВКЛЮЧЕННЫЙ ИНСТРУМЕНТ БЕЗ ПРИСМОТРА. ВЫКЛЮЧИТЕ ЕГО ИЗ СЕТИ.** Не отходите от инструмента, пока лезвие не остановится полностью.
17. **ПРАВИЛЬНО ХРАНИТЕ ИНСТРУМЕНТЫ.** Инструменты должны быть чистыми и в исправном состоянии. Выполняйте указания по смазке и замене принадлежностей.
18. **ПРОВЕРЯЙТЕ НАЛИЧИЕ ПОВРЕЖДЕННЫХ ДЕТАЛЕЙ.** Проверяйте подвижные части на правильность юстировки, а также отсутствие заклинивания, поломок, неправильной установки или других обстоятельств, которые могут повлиять на работу инструмента. Любая поврежденная деталь должна быть должным образом отремонтирована или заменена перед использованием.
19. **РАБОЧАЯ ЗОНА ДОЛЖНА БЫТЬ НЕДОСТУПНА ДЛЯ ДЕТЕЙ.** Для этого используйте навесные замки, отключайте рубильники, либо удаляйте ключ стартера по окончании работы.
20. **ЗАПРЕЩАЕТСЯ** работать на станке в состоянии наркотического или алкогольного опьянения, либо под воздействием медикаментов, поскольку это может повлиять на вашу способность безопасного использования инструмента.
21. **ПРИ ВЫПОЛНЕНИИ ТЕХНИЧЕСКОГО ОБСЛУЖИВАНИЯ ИСПОЛЬЗУЙТЕ ТОЛЬКО РЕКОМЕНДОВАННЫЕ ЗАПАСНЫЕ ЧАСТИ.**

⚠ ПРЕДОСТЕРЕЖЕНИЕ

ПЫЛЬ, ОБРАЗУЕМАЯ ПРИ ОБРАБОТКЕ НЕКОТОРЫХ МАТЕРИАЛОВ, МОЖЕТ БЫТЬ ОПАСНОЙ ДЛЯ ЗДОРОВЬЯ. ВСЕГДА РАБОТАЙТЕ СО СТРОГАЛЬНЫМ СТАНОКОМ В ХОРОШО ПРОВЕТРИВАЕМОМ ПОМЕЩЕНИИ И ОБЕСПЕЧЬТЕ РЕГУЛЯРНУЮ УБОРКУ ПЫЛИ. ПРИ ВОЗМОЖНОСТИ ИСПОЛЬЗУЙТЕ ПЫЛЕСБОРНЫЕ СИСТЕМЫ.

МЕРЫ БЕЗОПАСНОСТИ ПРИ РАБОТЕ С ПРОДОЛЬНО-СТРОГАЛЬНЫМ СТАНКОМ

ПЕРЕД ЭКСПЛУАТАЦИЕЙ СТАНКА

ПРЕДОСТЕРЕЖЕНИЕ

ВО ИЗБЕЖАНИЕ ОШИБОК, КОТОРЫЕ МОГУТ ПРИВЕСТИ К СЕРЬЕЗНЫМ, НЕОБРАТИМЫМ ТРАВМАМ, НЕ ВКЛЮЧАЙТЕ СТРОГАЛЬНЫЙ СТАНОК, ПОКА НЕ ПРОЧИТАЕТЕ И НЕ УСВОИТЕ СЛЕДУЮЩИЕ ПРАВИЛА.

1. Строгальный станок поставляется полностью собранным. Единственное, что требует сборки, это ручка регулировки глубины реза режущей головки. Установите строгальный станок на верстак или соответствующую поверхность.
2. Изучите функции выключателя ON/OFF («ВКЛ.»/«ВЫКЛ.»), рукоятки подъема, предохранителя режущей головки, приемного стола, подающего стола и толкающих блоков.
3. Ознакомьтесь со всеми указаниями по технике безопасности и рабочими процессами в данном руководстве по эксплуатации.
4. Ознакомьтесь с методами технического обслуживания строгального станка.
5. Найдите на строгальном станке и прочитайте все предупредительные надписи:
 - Перед использованием строгального станка прочитайте руководство по эксплуатации.
 - Надевайте защитные очки.
 - Никогда не выполняйте строгальные операции при отсутствии ограждения режущей головки или ремня.
 - Никогда не выполняйте строгальный срез более 1/32 дюйма (0,8 мм).
 - Никогда не осуществляйте строгальный срез на заготовке, длина которой менее 14 дюймов (35,6 см).
 - Отключите питание, дождитесь остановки лезвия и отсоедините шнур от источника питания прежде чем осуществлять регулировку или техобслуживание.

ПРИ УСТАНОВКЕ ИЛИ ПЕРЕМЕЩЕНИИ СТРОГАЛЬНОГО СТАНКА

1. НЕ ВЫПОЛНЯЙТЕ РАБОТЫ В ОПАСНОЙ СРЕДЕ
 - Используйте строгальный станок в сухом закрытом помещении, защищенном от дождя.
 - Следите, чтобы рабочая зона хорошо освещалась.
2. ВО ИЗБЕЖАНИЕ ТРАВМ ОТ ВНЕЗАПНОГО ПЕРЕМЕЩЕНИЯ СТРОГАЛЬНОГО СТАНКА:
 - Закрепите болтами или скобами станок на прочной ровной поверхности, обеспечьте достаточное пространство для перемещения заготовки по всей длине среза.
 - Обеспечьте опору станка таким образом, чтобы стол был установлен ровно, а станок не шатался.

- Установите станок таким образом, чтобы оператор или присутствующие лица не находились в зоне перемещения древесины при строгании.
- Во избежание риска поражения электрическим током следите, чтобы пальцы не прикасались к металлическим штырям вилки при включении станка в розетку или его выключении.
- Отключите станок и выньте шнур из розетки перед перемещением станка в другое место. Во избежание травм спины используйте необходимую помощь для поднятия станка.
- Закрепите станок болтами к полу, если есть вероятность его перемещения при строгании длинных или тяжелых досок.
- НЕ СТАНОВИТЕСЬ НА СТАНОК. Не храните материалы над станком или возле него. Не наклоняйтесь над станком, чтобы достать материалы, так как опрокидывание станка может привести к серьезным травмам.

ПЕРЕД КАЖДЫМ ИСПОЛЬЗОВАНИЕМ

1. ПРОВЕРЬТЕ СТРОГАЛЬНЫЙ СТАНОК:
 - Если какая-либо деталь отсутствует, погнута или сломана, или какая-либо электрическая деталь не работает должным образом, выключите станок и отсоедините шнур из розетки.
 - Замените поврежденную или отсутствующую деталь перед использованием станка.
 - Убедитесь, что режущая головка вращается в правильном направлении. Она должна вращаться по направлению к подающему столу.
2. ВО ИЗБЕЖАНИЕ ТРАВМ В РЕЗУЛЬТАТЕ ЗАКЛИНИВАНИЯ, ПРОСКАЛЬЗЫВАНИЯ ИЛИ ОТСКОКА МАТЕРИАЛА
 - Используйте строгальный станок только для резки древесины.
 - Размещайте руки таким образом, чтобы пальцы не могли случайно соскользнуть и попасть под режущую головку. При использовании одного толкающего блока для подачи древесины не помещайте руку на станок или заготовку.
 - Остерегайтесь травм в результате отскока материала. Убедитесь, что лезвия установлены правильно, а винты клина режущих лезвий плотно затянуты.
 - Установите глубину среза на 1/32 дюйма (0,8 мм) или меньше для достижения наилучших результатов. Глубокий срез усложняет подачу древесины и может привести к ее отскоку.
 - Используйте инструмент по назначению. Не пытайтесь сделать на станке работу, для которой он не предназначен.

3. ПРОВЕРЬТЕ РАБОЧЕЕ МЕСТО

- Следите за чистотой на рабочем месте.
- Беспорядок на рабочем месте и на верстаке может стать причиной несчастного случая. Пол не должен быть скользким от воска или опилок.
- Остерегайтесь ожогов или других термических травм. Не используйте станок вблизи с воспламеняющимися жидкостями, парами или газами.
- Перед эксплуатацией станка очистите стол от всех предметов, не используемых для подачи заготовок.
- Остерегайтесь травм. Не выполняйте планировочных, сборочных или установочных работ на станке.

4. ПЛАНИРУЙТЕ СВОЮ РАБОТУ

- Перед осуществлением новой или редко используемой операции тщательно продумайте положение рук. Убедитесь, что необходимые вам толкающие блоки, направляющие, зажимы, ограничители и другие приспособления находятся в рабочей готовности.
- Остерегайтесь травм от использования опасных принадлежностей. Используйте только рекомендуемые приспособления.

5. НАДЕВАЙТЕ СПЕЦОДЕЖДУ

- Заранее предусмотрите меры защиты глаз, рук, лица и ушей.
- Не надевайте свободную одежду, перчатки, галстуки или украшения (кольца, наручные часы). Они могут попасть в станок и затянуть вас в движущиеся части станка.
- Надевайте нескользкую обувь.
- Убирайте длинные волосы за спину.
- Закатывайте длинные рукава выше локтя.
- Уровень шума изменяется в широком диапазоне. Во избежание повреждения слуха, надевайте предохранительные наушники или беруши при длительной работе на станке.
- При работе станок посторонние предметы могут попасть в глаза. Это может привести к необратимому повреждению глаз. Надевайте защитные очки (не солнцезащитные), соответствующие стандартам CSA. Обычные очки не являются защитными, они лишь противостоят ударам.
- При выполнении пыльных работ наряду с защитными очками следует надевать респиратор.

6. ПРОВЕРЬТЕ ЗАГОТОВКУ:

- Убедитесь, что на заготовке, подготовленной для строгания, нет гвоздей или посторонних предметов.

7. ПЛАНИРУЙТЕ ПРОЦЕДУРУ СРЕЗА

- Небольшие или тонкие заготовки могут отскакивать при перевороте на столах или на режущей головке.
- Во избежание контакта с режущей головкой или отскока заготовки не следует выполнять строгальные операции на заготовке, длина которой менее 5 дюймов (127 мм).
- Не строгайте древесину толщиной менее ½ дюйма (13 мм).
- Не осуществляйте срез вручную. Направляйте заготовку вплотную к стойке и поверхности стола. Убедитесь, что между заготовкой и ее

опорами нет сора.

- Будьте предельно внимательны при работе с чрезмерно крупными или мелкими заготовками или заготовками необычной формы.
- Используйте дополнительные опоры (столы, козлы для распиловки, блоки), если заготовку трудно удерживать прижатой к столу.
- Не используйте другого человека для поддержки, подачи или протягивания заготовки.
- Запрещается обрабатывать более одной заготовки за один прием.
- Не включайте строгальный станок до тех пор, пока с поверхности стола не будут удалены все предметы, кроме самой заготовки и соответствующих опорных устройств.

8. ИЗБЕГАЙТЕ СЛУЧАЙНОГО ВКЛЮЧЕНИЯ СТАНКА

- Перед подсоединением шнура к источнику питания убедитесь, что выключатель находится в положении OFF («ВЫКЛ.»).

ПРИ ВКЛЮЧЕННОМ СТРОГАЛЬНОМ СТАНКЕ**⚠ ПРЕДОСТЕРЕЖЕНИЕ**

НЕ ТЕРЯЙТЕ БДИТЕЛЬНОСТЬ (ВСЛЕДСТВИЕ ЧАСТОГО ИСПОЛЬЗОВАНИЯ СТРОГАЛЬНОГО СТАНКА), ИНАЧЕ ЭТО МОЖЕТ ПРИВЕСТИ К ОШИБКЕ ИЗ-ЗА НЕВНИМАТЕЛЬНОСТИ. ПОМНИТЕ, ЧТО НЕБРЕЖНОСТЬ ОДНОЙ ДОЛИ СЕКУНДЫ МОЖЕТ СТАТЬ ПРИЧИНОЙ СЕРЬЕЗНОЙ ТРАВМЫ.

1. НЕ ПОДПУСКАЙТЕ К СТАНКУ ДЕТЕЙ:

- Убедитесь, что в рабочей зоне станка нет посторонних.
- Перед непосредственным осуществлением среза, станок должен некоторое время поработать вхолостую. Если он издает незнакомый шум или вибрирует, немедленно прекращайте работу. Выключите станок. Отключите его из розетки. Не включайте станок до тех пор, пока проблема не будет обнаружена и устранена.

2. СТАНОК ДОЛЖЕН РАБОТАТЬ БЕЗ ПРИНУЖДЕНИЯ:

- Заготовку следует подавать в станок достаточно быстро, чтобы срез выполнялся без остановок и заклинивания.

3. ПЕРЕД ВЫСВОБОЖДЕНИЕМ ЗАКЛИНЕННОГО МАТЕРИАЛА:

- Переключите выключатель в положение OFF («ВЫКЛ.»).
- Дождитесь полной остановки подвижных частей.
- Отключите станок из розетки.

4. ПЕРЕД ТЕМ КАК УЙТИ С РАБОЧЕГО МЕСТА: Переключите выключатель в положение OFF («ВЫКЛ.»).

- Отключите станок из розетки.
 - Обеспечьте полную защиту от доступа детей. Заблокируйте станок. Отсоедините главные выключатели. Удалите ключ переключателя ON/OFF («ВКЛ.»/«ВЫКЛ.»).
- Храните ключ в месте, недоступном для детей и лиц, не имеющих соответствующей квалификации для работы со станком.

ТРЕБОВАНИЯ К ЭЛЕКТРООБОРУДОВАНИЮ И МЕРЫ БЕЗОПАСНОСТИ

ПОДСОЕДИНЕНИЕ К ИСТОЧНИКУ ПИТАНИЯ

Убедитесь, что используемые источник питания и штепсель соответствуют требованиям вашего вертикально-сверлильного станка. Убедитесь в этом, сверившись с информацией на шильдике мотора или станка. Любые изменения должны быть выполнены квалифицированным персоналом.

ПРЕДОСТЕРЕЖЕНИЕ

Данный станок должен быть заземлен.

В случае ненадлежащего заземления существует возможность поражения электрическим током. Убедитесь, что источник питания также заземлен. В случае каких-либо сомнений, проведите проверку с помощью квалифицированного электрика.

ПРЕДОСТЕРЕЖЕНИЕ

Избегайте контакта с штекерами штепселя при включении в сеть. В случае контакта существует возможность поражения электрическим током.

ИСПОЛЬЗОВАНИЕ ШНУРА-УДЛИНИТЕЛЯ

Использование любого шнура-удлинителя приведет к некоторой потере мощности. Для минимизации таких потерь и предотвращения перегрева и возгорания мотора, проконсультируйтесь у квалифицированного электрика на предмет минимального сечения проводов шнура-удлинителя.

Данный шнур-удлинитель должен иметь штепсель с заземлением для подключения к сети с одной стороны, и розетку с заземлением для подключения штепселя станка с другой стороны.

ПРЕДОСТЕРЕЖЕНИЕ

Не утилизируйте электрооборудование как несортированные муниципальные отходы, используйте оборудование отдельного сбора мусора. За информацией относительно системы сбора мусора обращайтесь к местным властям. В случае утилизации электроприборов на свалке или отвале, опасные субстанции могут попасть в грунтовые воды и попасть в пищевые цепочки, причинив ущерб вашему здоровью и окружающей среде.

При замене старого электрооборудования на новое, розничная торговая сеть обязана принять ваше старое оборудование для утилизации по меньшей мере бесплатно.

ВСПОМОГАТЕЛЬНЫЕ УСТРОЙСТВА И ПРИСПОСОБЛЕНИЯ

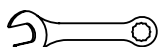
РЕКОМЕНДУЕМЫЕ ВСПОМОГАТЕЛЬНЫЕ УСТРОЙСТВА И ПРИСПОСОБЛЕНИЯ

⚠ ПРЕДОСТЕРЕЖЕНИЕ

Для приобретения рекомендуемых вспомогательных устройств и приспособлений к данному электроинструменту обратитесь в технический отдел или см. Каталог ручных инструментов.

ИНСТРУМЕНТЫ ДЛЯ СБОРКИ

Входят в комплект

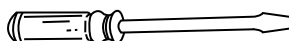


Гаечный ключ

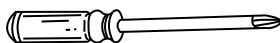


Шестигранный ключ

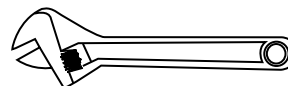
Не входят в комплект



Отвертка среднего размера



Отвертка № 2 Phillips



Разводной гаечный ключ

КОМПЛЕКТНОСТЬ УПАКОВКИ

ВСКРЫТИЕ УПАКОВКИ И ПРОВЕРКА СОДЕРЖИМОГО

Выньте все детали из упаковки. Перед тем как выбросить упаковочный материал, сверьте наличие каждой детали с иллюстрацией, представленной на следующей странице и с перечнем деталей.

ПЕРЕЧЕНЬ ДЕТАЛЕЙ

ПОЗ.	ОПИСАНИЕ	КОЛ-ВО
A	Строгальный станок	1
B	Болты	2
C	Кронштейн для сетевого шнура	2
D	Шестигранный ключ	1
E	Прибор для размерной настройки	2
F	Колпачок	1
G	Гаечный ключ	1
H	Болт	1
I	Боты для крепления пылесборника	3
J	Блок пылесборника	1
K	Коленчатая рукоятка	1
L	Опорные стойки	4
M	Короткая нижняя штанга	2
N	Длинная нижняя штанга	2
O	Короткая верхняя штанга	2
P	Длинная верхняя штанга	2

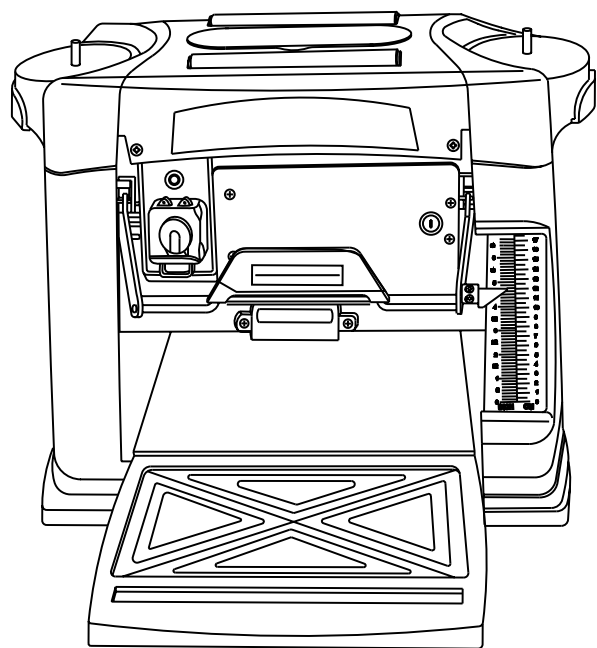
Подкладка под стойку	4
Плоская шайба	4
Болты	4
Болты	40
Рифленные шестигранные гайки	4
Рифленные шестигранные гайки	40

⚠ ПРЕДОСТЕРЕЖЕНИЕ

Если какая-либо деталь отсутствует или повреждена, запрещается выполнять сборку продольно-строгального станка, включать сетевой шнур в розетку или переводить выключатель в положение ON («ВКЛ.»), до тех пор пока недостающая или поврежденная деталь не будет получена и правильно установлена.

ПРИМЕЧАНИЕ: Чтобы упростить сборку, держите содержимое коробки в одном месте. Нанесите на стол покрытие из автомобильного воска. Тщательно протрите все детали чистой сухой тканью. Это уменьшит трение при проталкивании заготовки.

КОМПЛЕКТНОСТЬ



A



B



C



D



E



F



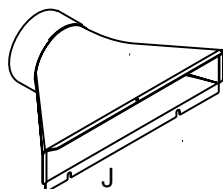
G



H



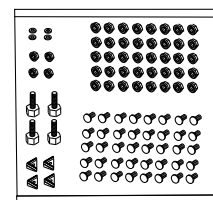
I



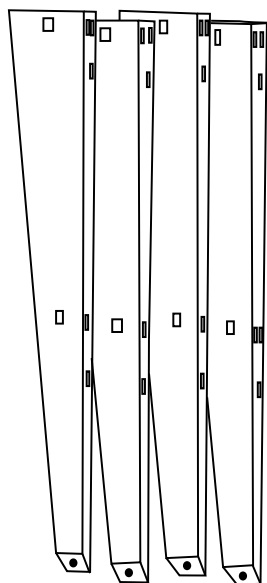
J



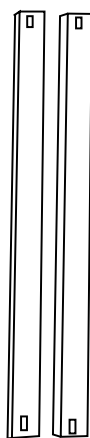
K



Q



L



M



N

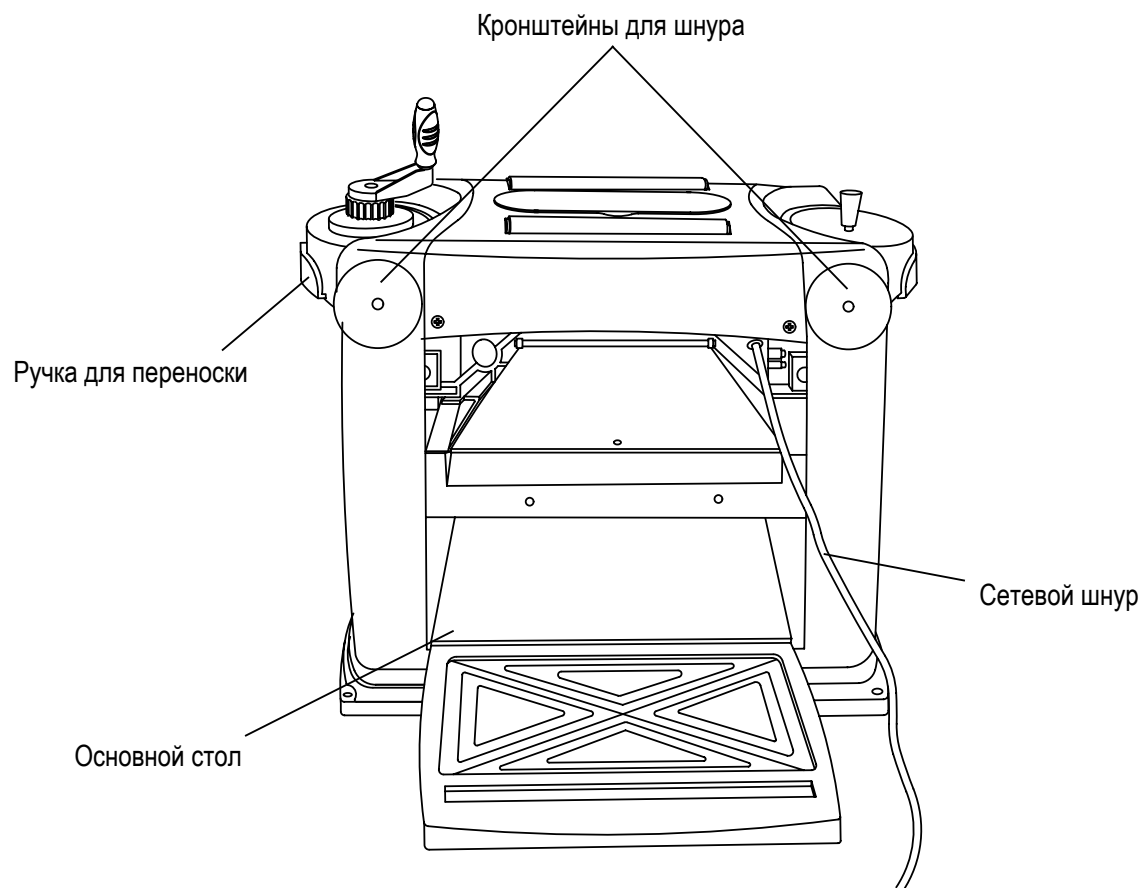
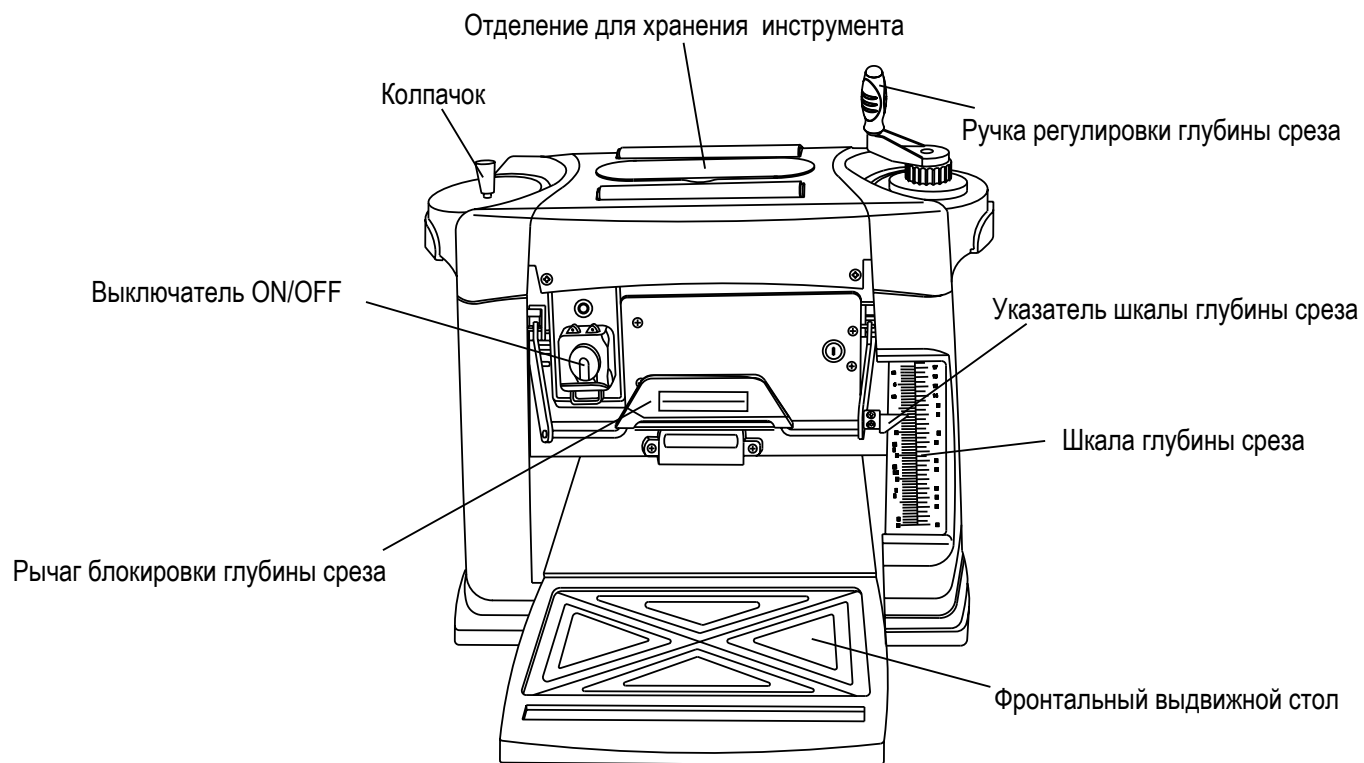


O



P

УСТРОЙСТВО СТРОГАЛЬНОГО СТАНКА



СБОРКА И РЕГУЛИРОВКА

⚠ ПРЕДОСТЕРЕЖЕНИЕ

Никогда не вставляйте штепсель в розетку, пока не будут полностью завершены все установочные и регулировочные работы, и пока вы не прочтете и не усвоите руководство по эксплуатации.

НЕОБХОДИМОЕ ВРЕМЯ ДЛЯ СБОРКИ 20-35 МИНУТ

ИНСТРУКЦИИ ПО СБОРКЕ

Освободите инструмент от упаковки и поместите его на верстак. Осторожно выдвиньте фронтальный и задний выдвижные столы и достаньте пакет с деталями и сетевым шнуром.

СБОРКА ОПОРЫ (РИС. А)

1. Распакуйте все детали и отсортируйте их по типу и размеру. Правильное количество см. в перечне деталей на стр. 58.
2. Прикрепите длинную верхнюю штангу (4) к верхней части опорной стойки (1) и соседней опорной стойки при помощи болтов с квадратным подголовком (2) и гаек (5).
- ПРИМЕЧАНИЕ:** Не затягивайте болты, пока не дойдете до пункта 7.
3. Прикрепите длинную нижнюю штангу (3) к нижней части опорной стойки (1) и соседней опорной стойки при помощи болтов с квадратным подголовком и гаек.
4. Повторите эти действия с противоположной стороны.

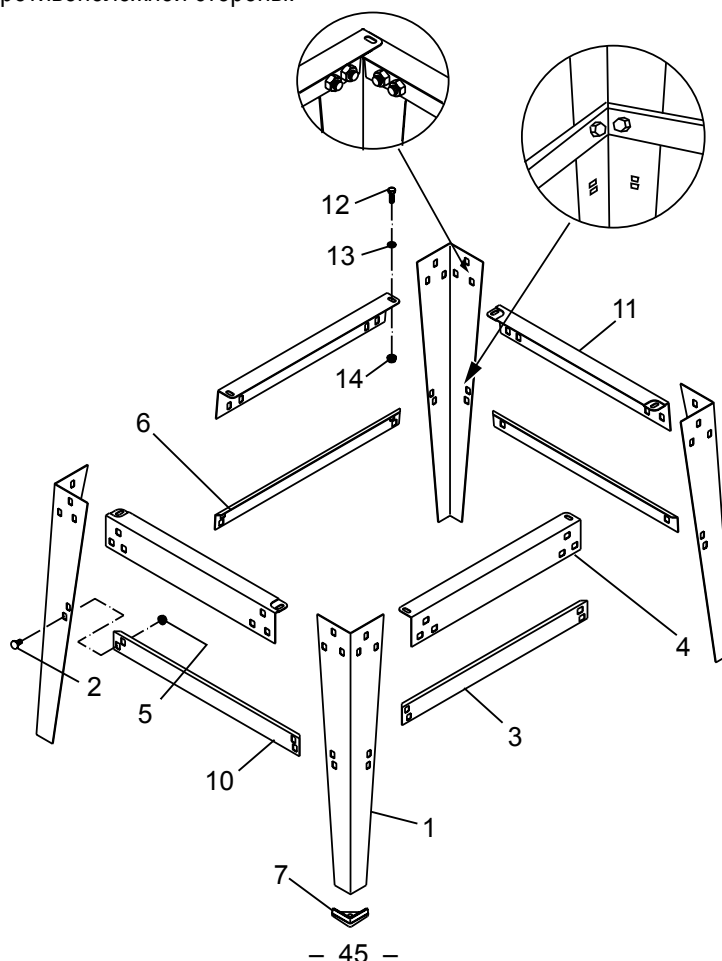
5. Соедините переднюю и заднюю части опорной стойки с помощью коротких верхних (11) и нижних (10) штанг, болтов с квадратным подголовком и гаек.
6. Установите заглушки (7) на опорных стойках.
7. Поместите конструкцию на ровную поверхность и убедитесь, чтобы все опорные стойки контактировали с полом и находились под одинаковым углом к полу. Затяните все болты.

СБОРКА СТАНКА И ОПОРЫ

1. Осторожно установите станок на верхнюю часть опоры.
2. Выровняйте 4 установочных отверстия на основании инструмента с отверстиями на опоре.
3. Закрепите станок на опоре при помощи установочных болтов (12), шайб (13) и гаек (14). См. рис. А.
4. Затяните все гайки.

ПРИМЕЧАНИЕ: НЕ ЗАТЯГИВАЙТЕ ГАЙКИ СЛИШКОМ ТУГО.

Рис. А

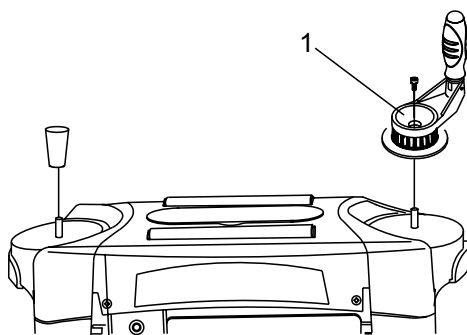


УСТАНОВКА РУЧКИ РЕГУЛИРОВКИ ГЛУБИНЫ СРЕЗА (РИС.В)

1. Поместите ручку регулировки глубины среза (1) справа на верхней части станка.
2. Вставьте шестигранный винт в ручку. Затяните его.
3. Нажатием установите колпачок слева.

ПРИМЕЧАНИЕ: Ручка регулировки глубины среза может быть установлена как справа, так и слева. На иллюстрации показан вариант установки коленчатой ручки справа.

Рис. В

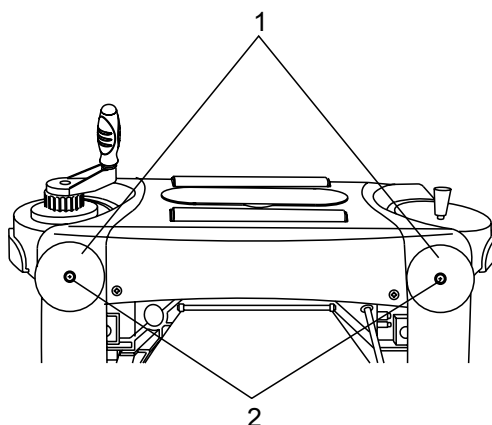


УСТАНОВКА КРОНШТЕЙНОВ ДЛЯ СЕТЕВОГО ШНУРА (РИС. С)

Кронштейны (1) для сетевого шнура предназначены для удобства хранения шнура.

1. Прикрепите кронштейны сзади на корпусе станка, как показано на рисунке, с помощью двух винтов (2).
2. Затяните (2).

Рис. С



РЕГУЛИРОВКА

ПРИМЕЧАНИЕ: Данный инструмент был точно отрегулирован перед отправкой с завода. Проверьте точность следующих настроек и при необходимости отрегулируйте их заново, чтобы повысить эффективность работы.

⚠ ПРЕДОСТЕРЕЖЕНИЕ

Во избежание травм от случайного включения станка, убедитесь, что выключатель находится в положении OFF («ВЫКЛ.»), а штепсель не подсоединен к источнику питания.

РЕГУЛИРОВКА ВЫДВИЖНОГО СТОЛА (РИС. D, D-1)

1. Потяните рычаг блокировки режущей головки (1).
2. Разблокируйте головку.
3. Поверните ручку регулировки глубины среза, чтобы поднять головку.
4. Выровняйте края выдвижных столов и основного стола.
5. Прижмите край к выдвижным столам, чтобы убрать все люфты.
6. При необходимости регулировки задвиньте выдвижной стол, открутите гайку (3) и отрегулируйте болт (4), чтобы выровнять столы.

Рис. D

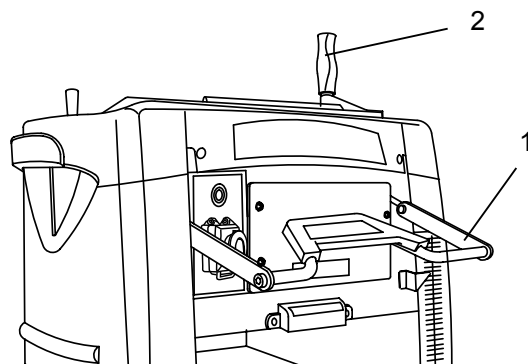
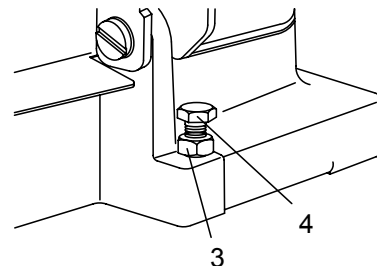


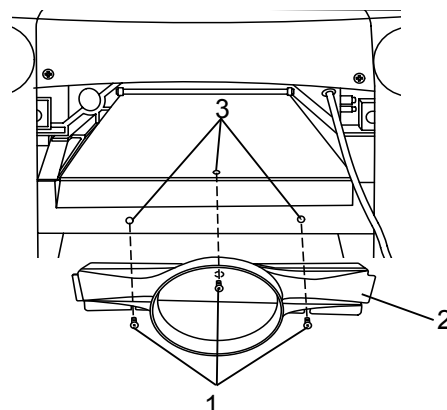
Рис. D-1



УСТАНОВКА ПЫЛЕСБОРНИКА (РИС.Е)

1. Подсоедините пылесборник (2) сзади на корпусе станка тремя болтами как показано на рисунке.
2. Ввинтите эти три (1) болта в отверстия (3) сзади на корпусе станка.
3. Затяните болты.

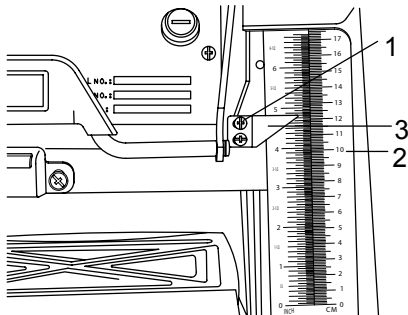
Рис. Е



РЕГУЛИРОВКА ШКАЛЫ ГЛУБИНЫ СРЕЗА (РИС. F)

1. Проведите пробное строгание доски.
2. Сравните замеренную толщину доски с показаниями на шкале глубины среза (2).
3. Если показания на шкале неверны, раскрутите винты (1), закрепляющие указатель (3) и отрегулируйте их, чтобы он указывал на соответствующую величину.
4. Снова проверьте показания шкалы, обстрогав другую доску. Проверьте дважды и отрегулируйте заново при необходимости.

Рис. F

**УСТАНОВКА ВЫСОТЫ НОЖА (РИС. G, G-1, H)****⚠ ПРЕДОСТЕРЕЖЕНИЕ**

Во избежание травм от случайного включения станка, убедитесь, что выключатель находится в положении OFF («ВЫКЛ.»), а штепсель не подсоединен к источнику питания.

1. Выкрутите два винта отверткой, затем снимите пылезащитную крышку (Рис. G).
2. Раскрутите восемь шестигранных винтов (3) с помощью гаечного ключа, входящего в комплект поставки.
3. Нажмите на защелку на оправке и поворачивайте режущую головку, пока не появятся два шестигранных болта (5) (Рис. G-1).
4. Поместите прибор размерной настройки ножа (6) (Рис. H) на режущую головку с помощью обеих направляющих, плотно прижатых к ножу.
5. Ослабьте или затяните шестигранные болты (5) таким образом, чтобы нож коснулся прибора размерной настройки.
6. Затяните восемь шестигранных винтов с помощью гаечного ключа, входящего в комплект поставки.

7. Поставьте на место пылезащитную крышку и закрепите ее двумя винтами (1).

Рис. G

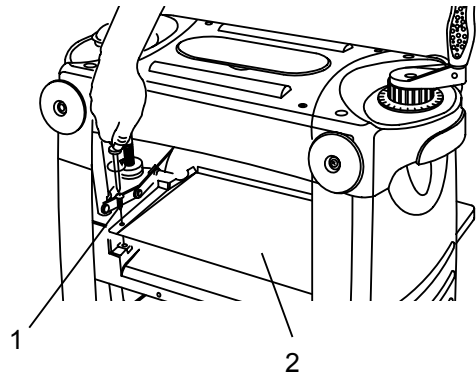


Рис. G-1

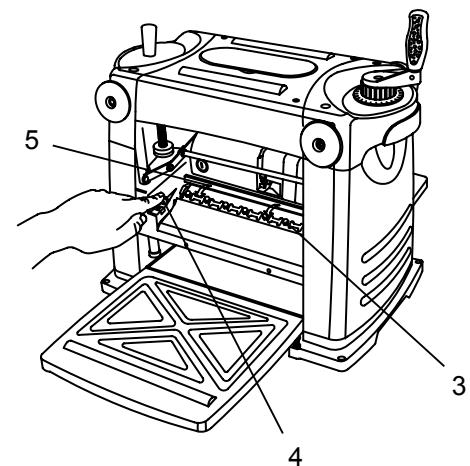
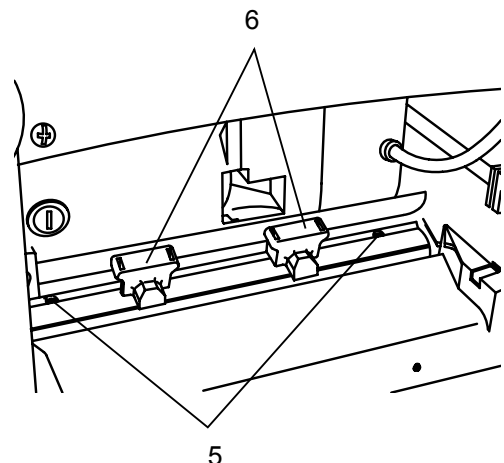


Рис. H



ЭКСПЛУАТАЦИЯ

NVR ВЫКЛЮЧАТЕЛЬ ПРОДОЛЬНО-СТРОГАЛЬНОГО СТАНКА (РИС. I)

Основной выключатель, выключатель NVR (1) расположен на передней панели станка. Нажмите I для включения питания; нажмите O для выключения питания.

При аварийном отключении питания, нажмите I для повторного запуска.

Кнопка - крышка экстренной остановки (2) позволяет экстренно остановить работу станка, ударив по ней рукой.

Рис. I

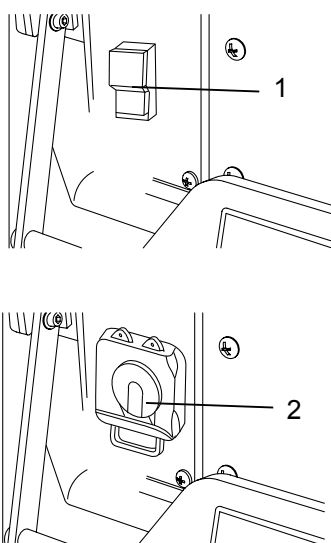


Рисунок показывает переключатель со снятой крышкой-кнопкой.

ЭКСПЛУАТАЦИЯ ПРОДОЛЬНО-СТРОГАЛЬНОГО СТАНКА

⚠ ПРЕДОСТЕРЕЖЕНИЕ

1. Прежде чем начать строгание необходимо дождаться, пока двигателю наберет полную скорость.
2. Всегда осуществляйте подачу заготовок в направлении, обеспечивающем строгание вдоль волокон материала. Подача поперек волокон приведет к подъему лезвиями древесного волокна с рабочей поверхности и образованию шероховатости.
3. Уберите все посторонние предметы с заготовки. Не строгайте древесину с большим количеством сучков или изгибов.
4. Станок работает эффективнее, если заготовка имеет по крайней мере одну плоскую поверхность. Поместите доску на стол плоской поверхностью вниз.
5. Запрещается строгать на толщину более 3 мм за один прием.
6. Подходящая глубина среза определяется по ширине и твердости доски.

7. Убедитесь, что длинные доски поддерживаются на одном уровне со столом с передней и задней стороны станка. При необходимости используйте выдвижные опоры.
8. Не принимайте доску руками при подаче вовнутрь с заднего выдвижного стола.
9. Если нужно произвести срез на определенной высоте (19 мм, 6 мм, 12 мм), переместите правую сторону уровня высоты в нужное положение (Рис. L).

1. Потяните на себя рычаг блокировки режущей головки (Рис. J).
2. Разблокируйте режущую головку.
3. Опустите режущую головку, чтобы она коснулась заготовки.
4. Установите глубину среза на отметку «3mm».
5. Слегка поднимите режущую головку и уберите заготовку.
6. Настройте глубину среза на нужную конечную толщину доски.
7. Заблокируйте режущую головку.
8. Надавите на рычаг блокировки режущей головки (Рис. K).
9. Поместите доску под ролик подачи для того, чтобы она продвигалась прямо. Когда подающий ролик осуществит захват, отпустите доску и отойдите в сторону (чтобы не попасть под возможный отскок материала).
10. Если доска длинная, поместите ее сверху станка и прокатите вперед для повторного строгания.

Рис. J

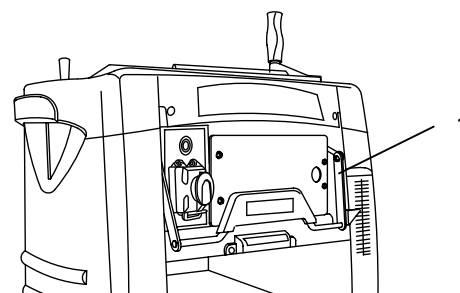


Рис. K

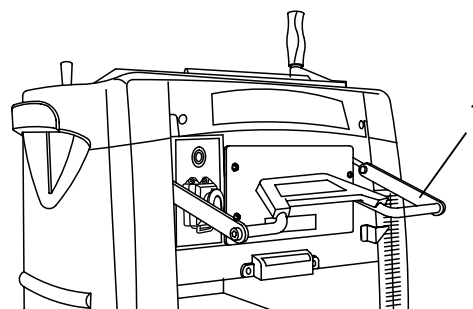
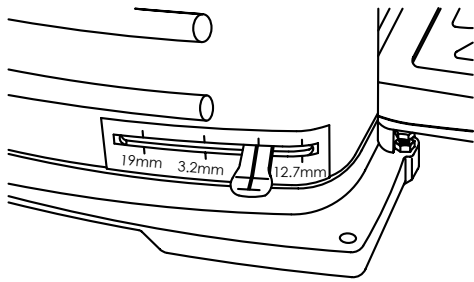


Рис. L

**ПРИМЕЧАНИЕ:**

1. Для получения гладкой поверхности и однородной толщины рекомендуется осуществлять строгание легкими срезами с доски.
2. Чтобы достичь лучшего результата, строгайте с обеих сторон заготовки, достигая, таким образом, необходимую толщину заготовки.
3. Если образуется выбоина (выбоина – это вдавливание, образующееся, когда края заготовки соприкасаются с резами), убедитесь, что выдвижные столы и опоры находятся на одном уровне с основным столом, а доска прижата к столу плоской стороной.
4. Для изогнутых заготовок рекомендуется исправлять кривизну рубанком.
5. Если заготовка имеет щербинки или покороблена, необходимо сначала обстругать верхнюю поверхность, затем перевернуть заготовку и обстругать нижнюю поверхность.

Замена лезвий (РИС. М, N, O)

ПРИМЕЧАНИЕ: Принадлежности для замены лезвия находятся в отделении для хранения инструментов.

ПРЕДОСТЕРЕЖЕНИЕ

Во избежание травм от случайного включения, перед заменой лезвий всегда переводите выключатель в положение OFF («ВЫКЛ.») и отсоединяйте штепсель от источника питания.

1. Поверните рукоятку, чтобы опустить режущую головку до высоты 2 дюйма (50 мм).
2. Выкрутите все винты и снимите пылеулавливающий колпак и пылезащитную крышку (2) (Рис. М).
3. Нажмите на защелку на оправке (3) и поворачивайте режущую головку, пока не появятся восемь шестигранных винтов (Рис. N).
4. Выкрутите восемь шестигранных винтов (4) с помощью гаечного ключа, входящего в комплект поставки (Рис. O).
5. Осторожно выньте прижимную пластину (5) прямым поднятием вверх (Рис. O).

6. Осторожно выньте лезвие (6), подняв вверх за оба конца (рис. O).
7. Лезвие имеет два режущих края. При использовании другой стороны лезвия или его замене, установите лезвие на режущей головке, разместив два щелевых отверстия в лезвии над установочными штифтами на режущей головке (Рис. O).

Рис. М

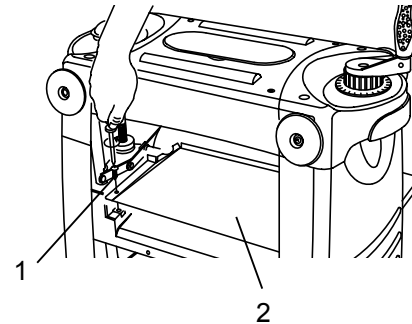


Рис. N

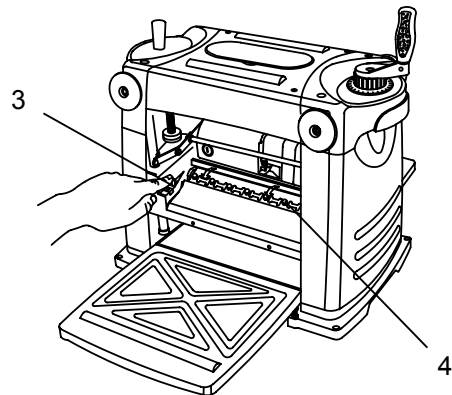
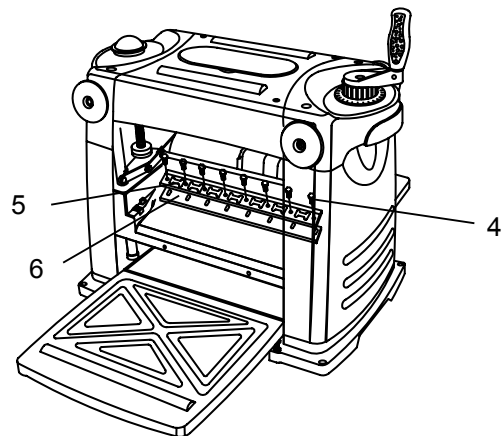


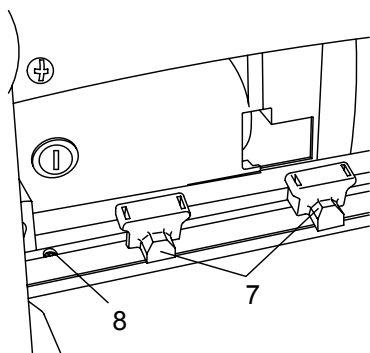
Рис. O



8. Слегка отрегулируйте положение лезвия так, чтобы оно находилось по центру режущей головки.
9. Вставьте на место прижимную пластину (5), завинтите восемь шестигранных болтов (4), но не затягивайте их (Рис. О).
10. Поставьте приборы для размерной настройки лезвия (7) на режущей головке с помощью направляющих, плотно прижатых к лезвию (Рис. Р).
11. Поворачивайте оба регулировочных винта (8), пока лезвие не коснется установочных указателей.
12. Снимите приборы для размерной настройки, затем поверните режущую головку, пока не появятся восемь шестигранных болтов (4-Рис. О). Затяните все болты шестигранным ключом, входящим в комплект поставки.
13. Установите на место пылеулавливающий колпак и прикрепите его двумя винтами.

ПРИМЕЧАНИЕ: Стругальный станок не включится до тех пор, пока пылезащитная крышка и направляющая режущей головки не будут должным образом установлены.

Рис. Р



ТЕХНИЧЕСКОЕ ОБСЛУЖИВАНИЕ

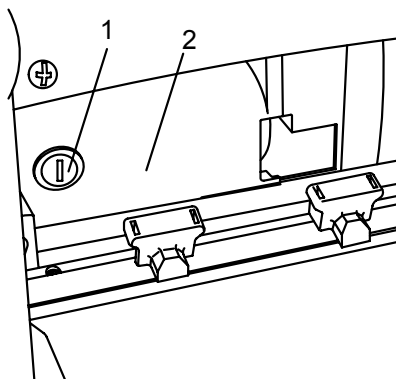
⚠ ПРЕДОСТЕРЕЖЕНИЕ

Никогда не наносите смазку на лезвие во время вращения. Во избежание пожара или токсичной реакции никогда не используйте бензин, бензиновый растворитель, разбавитель лака или аналогичные высоколетучие растворители для чистки станка. Во избежание травм от случайного запуска или поражения электрическим током, отсоедините сетевой шнур от розетки перед проведением технического обслуживания инструмента. В целях безопасности данный инструмент имеет двойную изоляцию. Во избежание поражения электрическим током, пожара или травмы используйте только детали, идентичные указанным в перечне запчастей. Повторную сборку осуществляйте в соответствии с первоначальной сборкой, чтобы избежать поражения электрическим током.

ЗАМЕНА ГРАФИТОВОЙ ЩЕТКИ (РИС. Q)

Срок службы графитовых щеток рассчитан примерно на 50 рабочих часов или 10 000 циклов включения/выключения. Замену обеих графитовых щеток необходимо проводить в том случае, если длина одной из них станет менее ¼ дюйма (6,35мм), либо если пружина или провод повреждены или обгорели. Чтобы проверить или заменить щетки, сначала отключите инструмент от электропитания. Затем снимите черный пластиковый колпачок (1) со стороны двигателя (2). Колпачок снимайте осторожно, поскольку он приводится в действие пружиной. Затем вытащите щетку и замените ее. Произведите замену с другой стороны аналогично. Для сборки повторите процедуру в обратном порядке. Проушины на металлическом конце узла заходят в те же пазы, что и графитовая часть. Плотно, но не сильно затяните колпачок.

Рис. Q



ПРИМЕЧАНИЕ:

Чтобы заново установить те же щетки, сначала убедитесь в том, что щетки вставляются так же, как и вынимались. Это позволит избежать обкатки, которая снижает производительность двигателя и повышает износ.

ЗАМЕНА КЛИНОВИДНОГО РЕМНЯ

Неправильное натяжение клиновидного ремня приводит к соскальзыванию ремня со шкива двигателя или привода. Ослабленный ремень должен быть заменен. Чтобы заменить клиновидный ремень:

- Выключите станок и отключите от источника питания.
- Раскрутите и выньте винты на панели справа. Снимите панель.
- Снимите старый ремень, начиная со шкивов мотора или привода соответственно. Осторожно тяните ремень, одновременно поворачивая шкивы.
- Замените ремень на новый. Чтобы установить ремень на шкивы, повторите процедуру снятия ремня в обратном порядке.
- Убедитесь, что ремень ровно лежит в канавках шкивов двигателя и привода.
- Поставьте панель на место и прикрепите ее справа.

СМАЗКА

- Подшипники двигателя и режущей головки опломбированы и не нуждаются в смазке.
- Шестерни и регулировочные винты должны очищаться от сора и жира.
- Столы можно покрыть мебельным воском, чтобы способствовать плавной подаче заготовок. Убедитесь, что используемая смазка не влияет на возможность отделки заготовки лаком, герметиком и т.д. Запрещается использовать смазку на силиконовой основе.

ЧИСТКА СТАНКА

Содержите станок в чистоте. После 10 часов работы необходимо удалять древесную стружку, пыль, грязь и прочий сор.

НЕИСПРАВНОСТИ И МЕТОДЫ ИХ УСТРАНЕНИЯ

⚠ ПРЕДОСТЕРЕЖЕНИЕ

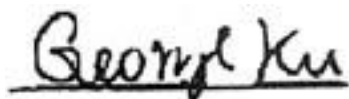
Во избежание несчастного случая в результате случайного запуска станка, всегда устанавливайте переключатель в положение "ВЫКЛ." и отсоединяйте станок из розетки перед выполнением регулировки станка.

- Если по каким либо причинам двигатель не работает, необходимо обратиться в фирменный центр технического обслуживания Hitachi за консультацией.

НЕИСПРАВНОСТЬ	ВОЗМОЖНАЯ ПРИЧИНА	МЕТОД УСТРАНЕНИЯ
Выбоина (продавленность по краям доски)	<ol style="list-style-type: none"> 1. Затупленные лезвия. 2. Несоответствующая опора для длинных досок 3. Неравномерный нажим на режущую головку. 4. Роликодержатели не выровнены по отношению к основанию. 5. Древесина подается неправильно. 	<ol style="list-style-type: none"> 1. Замените лезвия по инструкции. См. раздел «Замена лезвий». 2. Установите опору для длинных досок. См. раздел «Предотвращение выбоин». 3. Слегка подтолкните доску, когда она соприкасается только с одним подающим роликом. См. раздел «Предотвращение выбоин». 4. Отрегулируйте роликодержатели. См. раздел «Регулировка». 5. Подавайте каждую заготовку из штабеля вплотную к торцу предыдущей заготовки по мере прохождения доски через станок.
Шероховатость древесного волокна	Строгание древесины с высоким содержанием влаги.	Удалите избыточную влагу из древесины путем просушки.
Рваное древесное волокно	<ol style="list-style-type: none"> 1. Слишком мощный срез. 2. Лезвия режут поперек волокон. 3. Затупленные лезвия. 	<ol style="list-style-type: none"> 1. См. раздел «Эксплуатация». 2. См. раздел «Эксплуатация». 3. Замените лезвия по инструкции. См. раздел «Замена лезвий».
Грубое или рельефное древесное волокно	<ol style="list-style-type: none"> 1. Затупленные лезвия. 2. Слишком мощный срез. 3. Слишком высокое содержание влаги. 	<ol style="list-style-type: none"> 1. Замените лезвия по инструкции. См. раздел «Замена лезвий». 2. См. раздел «Эксплуатация». 3. Высушите древесину или используйте сухую древесину.
Неравномерная глубина среза (от края до края)	Роликодержатели не выровнены со станком.	Роликодержатели не выровнены. См. раздел «Регулировка».
С трудом регулируется высота роликодержателей	<ol style="list-style-type: none"> 1. Грязные шестеренки. 2. Грязные регулировочные винты. 3. Шестерни и регулировочные винты изношены. 4. Трение между роликодержателями и крышкой 5. Роликодержатели не параллельны основанию станка. 6. Активирована блокировка роликодержателей. 	<ol style="list-style-type: none"> 1. Почистите и смажьте шестерни. 2. Почистите и смажьте угломестные винты. 3. Замените шестерни и регулировочные винты. 4. Выполните чистку и смазку. 5. Отрегулируйте роликодержатели. См. раздел «Регулировка». 6. Снимите блокировку роликодержателей.
Доска подается внутрь, но при прохождении выводящего ролика останавливается	<ol style="list-style-type: none"> 1. Выводящий ролик не прокручивается из-за засорения стружкой. 2. Чрезмерное давление на режущую головку из-за большой длины доски. cutterhead from long workpiece. 	<ol style="list-style-type: none"> 1. Уберите стружку, используйте желоб и пылесборник. 2. Используйте опоры для поддержки досок, длина которых превышает 24 дюйма.
Толщина доски не соответствует глубине среза на шкале	Неправильно установлен указатель.	Отрегулируйте указатель и прочно его закрепите.
Подскакивание цепи	<ol style="list-style-type: none"> 1. Изношены цепные колеса. 2. Изношена цепь. 	<ol style="list-style-type: none"> 1. Замените цепные колеса. 2. Замените цепь.
Станок не работает	<ol style="list-style-type: none"> 1. На станок не подается питание. 2. Сработала защита от перегрузки двигателя. 3. Неисправен или ослаблен выключатель или проводка. 	<ol style="list-style-type: none"> 1. Необходима проверка источника питания квалифицированным электриком. 2. Выключите станок. Переустановите защиту двигателя от перегрузок. 3. Необходима проверка выключателя и проводки квалифицированным электриком.
Соскальзывание ремня	Ремень ослаблен.	Замените ремень. См. раздел «Замена клиновидного ремня».
Роликодержатели не опускаются	Установочный указатель толщины заготовки ограничивает движение роликодержателей.	Переустановите указатель толщины.

ДЕКЛАРАЦИЯ СООТВЕТВИЯ ЕС

Rexon Industrial Corp., Ltd, подтверждает, что данный продольно-строгальный станок , модель P13F, соответствует закону LOW VOLTAGE DIRECTIVE 73/23/ЕЕС, дополнению к закону DIRECTIVE 89/336/ЕЕС и законам MACHINERY DIRECTIVE ANNEX 1 of 98/37/ЕС и EMC DIRECTIVE 89/336



Джордж Ку (George Ku), Менеджер по маркетингу

Дата: 1 Декабрь 2006

Rexon Industrial Corp., Ltd.,

261 Jen Hwa Road,

Tali, Taichung 412

Тайвань, КНР

PARTS LIST

13" (330mm) PLANER

MODEL NO. P13F

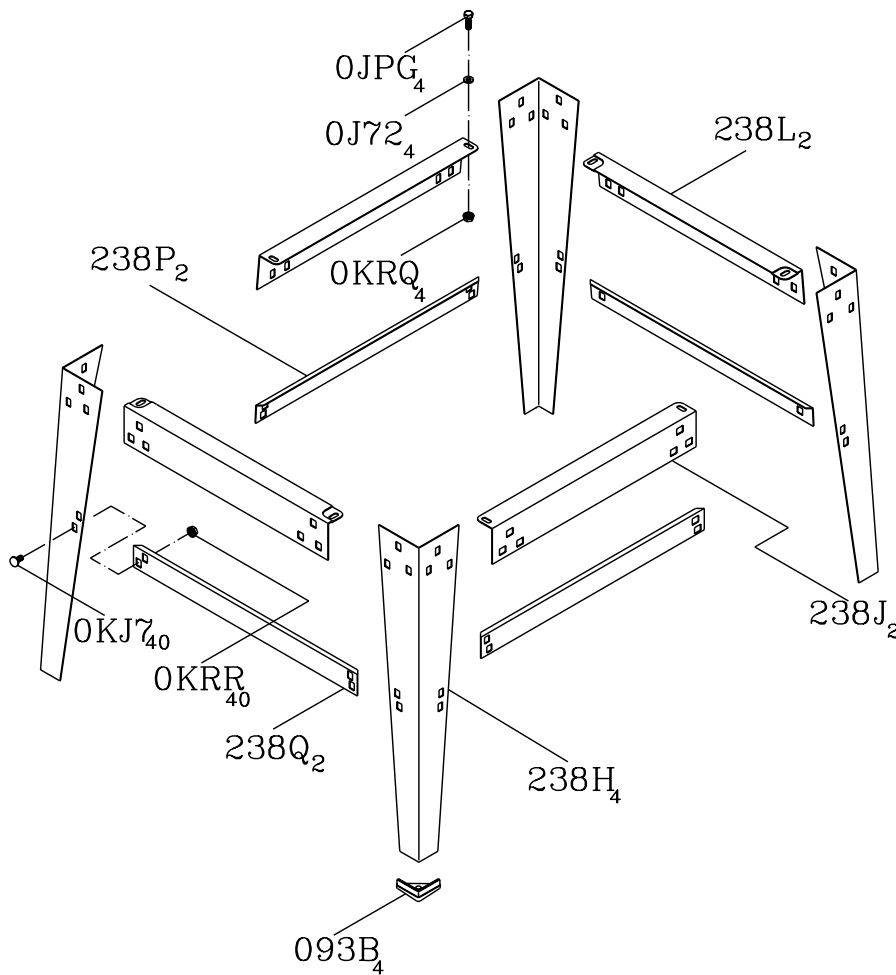
PARTS LIST FOR SCHEMATIC

Always order by I.D. Number

Parts No.	I.D.	Description	Size	QTY	Parts No.	I.D.	Description	Size	QTY
326403	04Q3	EARTH LABEL		1	726529	OJQ1	HEX. HD. BOLT	M10*1.5-45	4
326404	04TP	LIMIT SWITCH GUARD		1	726531	OJV0	HEX. SOC. HD. CAP BOLT	M8*1.25-45	1
326405	04TR	LIMIT SWITCH INSULATION BLOCK		1	726536	OJXQ	HEX. SOC. SET SCREW	M10*1.5-12	1
326446	0872	EXTENTION WING ASS'Y		2	326666	OJZ4	HEX. SOC. SET SCREW	M6*1.0-8	2
726325	0874	ROLLING WHEEL		2	726528	OJZN	ARBOR BOLT	M8*1.25-20	1
726326	0875	SHAFT SLEEVE		8	326667	OJZY	HEX. SOC. TRUSS HD. SCREW	M6*1.0-12	2
726327	0876	SHAFT		2	726537	OK1D	HEX. HD. SCREW AND WASHER	M6*1.0-16	16
726328	0877	SPRING PLATE		2	726539	OK2B	HEX SOC. HD. CAP SCREW	M6*1.0-16	2
726331	0880	ADJUST SCREW		4	726541	OK30	HEXAGON SOCKET TRUSS HEAD & WASHER ASSEMBLED	M6*1.0-16	8
726332	0881	BEARING SEAT		1	726542	OK33	CR. RE. PAN HD. SCREW & WASHER	M4*0.7-8	2
726333	0882	PULLEY		1	726544	OK3H	CR. RE. PAN HD. SCREW & WASHER	M6*1.0-12	20
726334	0886	TABLE INSERT		1	726546	OK47	CR. RE. PAN HD. SCREW & WASHER	M6*1.0-20	1
726335	0887	SPROCKET		3	326451	OK4R	CR. RE. TRUSS HD. SCREW	M5*0.8-12	2
726336	0888	SHAFT SLEEVE		1	726550	OK5B	CR. RE. COUNT HD. SCREW	M6*1.0-12	14
726337	0889	ANCHOR BLOCK		4	726551	OK61	CR. RE. COUNT HD. SCREW	M5*0.8-12	2
726338	0893	FOLLOWER PLATE		1	726552	OK71	CR. RE. TRUSS HD. SCREW	M5*0.8-8	8
726390	086G	INSERT		1	726555	OK7F	CR. RE. ROUND WASHER HD. SCREW	M5*0.8-8	2
726391	086H	CHAIN		1	726557	OK7K	CR. RE. ROUND WASHER HD. SCREW	M6*1.0-12	17
726392	086K	SPROCKET		2	726560	OK84	CR. RE. COUNT HD. TAPPING SCREW	M4*0.7-12	3
726393	086L	BEARING COVER		2	726563	OK91	CR. RE. TRUSS HD. TAPPING SCREW	M4*16-12	2
726394	086N	GUIDE PLATE		2	326452	OKA3	CR. RE. PAN HD. TAPPING SCREW	M4*16-12	4
726395	086P	TABE PLATE		1	726573	OKB9	CR. RE. PAN HD. TAPPING SCREW	M5X16-10	5
726396	086S	SCREW BAR		2	726582	OKDU	CR. RE. PAN HD. SCREW	M6*1.0-12	2
726397	086T	SUPPORT		4	726584	OKE9	CR. RE. PAN HD. SCREW	M6*1.0-30	2
726400	087G	ARM BRACKET		1	326411	OKF4	CR. RE. PAN HD. SCREW	M3*0.5-20	2
726401	087H	SPACER		1	726586	OKFF	CR. RE. PAN HD. SCREW	M5*0.8-8	2
726402	087K	HANDLE		1	726593	OKKL	CR. RE. PAN HD. ROUND NECK SCREW	M6*1.0-16	1
726403	087N	LINK BAR		2	726597	OKMS	HEX. NUT	M6*1.0 T=5	4
726404	087Q	SLEEVE		2	726603	OKMY	HEX. NUT	M8*1.25 T=6.5	1
726405	087S	CHAIN		1	726613	OKQM	SQUARE NUT	M6*1.0 T=5	8
726406	087T	CHAIN		1	726616	OKQX	NUT	M6*1.0 T=6	4
726407	087U	BEARING COVER		1	726617	OKQY	LOCK NUT	M8*1.25 T=8	2
726408	088A	COMPRESSION SPRING		4	726619	OKRJ	U-TYPE NUT	M4*0.7	2
726409	088B	FEED SHAFT		2	326453	OKTH	STRAIN RELIEF		1
726410	088C	SHAFT SLEEVE		1	325733	OKUX	TERMINAL		2
726411	088D	SET PLATE		4	326455	OLU5	LIMIT SWITCH		1
726412	088E	NUT		2	326456	OLXA	PUSH BUTTON SWITCH		1
726413	088F	NUT		2	726636	OLXZ	DSICCCANT		2
726414	088G	ADJUSTABLE NUT		2	326457	OPN6	MOTOR		1
726415	088H	MITER GUIDE		1	326639	OUGU	POWER CABLE ASS'Y		1
326638	088K	DUST PORT		1	726339	2111	CUSHION		2
726417	088L	SIDE COVER		1	726340	2113	SET BOLT	M4*0.7-2B	2
726418	088N	SIDE COVER		1	726341	2114	BLADE		2
726419	088R	COVER		1	726342	2116	TENSIONH HANDLE		1
726421	089Q	SET PLATE		1	726343	2118	TENSION HANDLE		1
726422	089R	SET PLATE		1	726658	2125	BASE		1
726423	089S	SPROCKET		1	726659	210Y	COVER		1
726424	089Y	ROLLING WHEEL		2	726660	210Z	FOLLOWER PLATE		1
726425	089Z	SHAFT		2	726661	211C	TOOL BOX COVER		1
726426	08A0	BRACKET TRAY		4	726662	211D	TOOL BOX COVER		1
726427	08A1	MOTOR PULLEY		1	726344	211E	BASE		4
726429	08A5	FOUNDATION STONE ASS'Y		2	726664	212S	SPONGE		1
726430	08AK	COLLAR		1	726667	216J	V-RIBBED BEIT(POIYOURETHANE)		1
726431	08AM	MOTOR BASE		1	726669	21XQ	CR. RE. ROUND WASHER HD. SCREW	M6*1.0-60	4
726331	08AQ	CONTROLLER ASS'Y		1	726670	221Q	CUTTER HEAD		1
326447	08AS	SWITCH BOX		1	726671	221R	PRESSURE BAR		2
326448	08AY	DUST COLLECTOR ASS'Y		1	726672	222E	NEEDLE POINTER		1
326449	0HRX	FOOT		1	726734	24ZN	HANDLE		1
726467	0HV4	BALL BEARING		2	726747	26DP	SPECIAL BOLT		4
726468	0HVM	BALL BEARING		2	726792	28KA	PLATE COVER		1
726473	OJ3P	HEX. WRENCH		1	726793	28KB	COVER-RINH		1
726477	OJ4E	FLAT WASHER	φ6*13-1	2	726794	28KL	HANDLE		2
726484	OJ6G	FLAT WASHER	φ8.2*18-2.0	1	726795	28KP	KNOB		1
726491	OJ78	FLAT WASHER	1/4*1/2-3/32	6	726801	28MA	SACLE PLATE ASS'Y		1
726492	OJ7B	FLAT WASHER	5/16*25/32-1/8	2	726817	28QS	POWER CORD CLAMP		2
326450	OJ8W	FLAT WASHER	1/8*5/16-1/64	2	726822	28VG	TRADE-MARK LABEL		1
726497	OJ9S	SPRING WASHER	φ6	2	726825	28VK	STICKER		2
726502	OJAF	EXTERNAL TOOTH LOCK WASHER	φ5	1	726826	28VL	SCALE		1
726504	OJBA	WAVE WASHER	BWW-6203	1	326459	2GFT	MIDDLE BASE		1
726511	OJDC	SPRING PIN		2	326644	2HC5	SCALE		1
726514	OJEV	E-RING		4	326646	2HC8	WARNING LABEL		1
726518	OJGB	PARALLEL KEY		1	326647	2HCJ	CAUTION LABEL		1
726524	OJPC	HEX. HD. BOLT	M6*1.0-12	1	326648	2HCK	WARNING LABEL		1
726525	OJPF	HEX. HD. BOLT	M6*1.0-25	4					

PARTS LIST FOR STAND

HKU#	I.D.	Description	Size	QTY
726435	093B	FOOT PAD		4
726489	0J72	FLAT WASHER	1/4*5/8-1/16	4
726526	0JPG	HEX. HD. BOLT	M6*1.0-30	4
726591	0KJ7	CAP HD. SQ.NECK BOLT	M8*1.25-16	40
726620	0KRQ	SERRATED TOOTHED HEXAGON FLANGE NUT	M6*1.0 T=6	4
726621	0KRR	SERRATED TOOTHED HEXAGON FLANGE NUT	M8*1.25 T=7.5	40
726703	238H	BRACKET		4
726704	238J	UPPER SUPPORT		2
726706	238L	UPPER SUPPORT		2
726708	238P	BOTTOM SUPPORT BRACKET		2
726709	238Q	BOTTOM SUPPORT BRACKET		2



ENGLISH

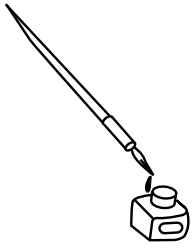
Recyclable Materials Analysis List						
Material	Aluminum	Cast Iron	Iron Plate	Plastics	Others	Total
Weight(Kg)	11.18	0	21.632	1.742	8.333	42.887
Percentage (%)	22.0%	0.0%	42.5%	3.4%	16.4%	84.3%
Major Packaging Materials						
Material	Carton	Polystyrene	Low Density Polyethylene	Polypropylene	Others	Total
Weight(Kg)	0.22	1.12	0.03	2.7	0	4.07

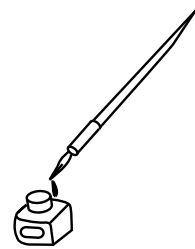
SPANISH

Lista de Analisis de Materiales Reciclables						
Material	Aluminio	Hierro Fundido	Galvanizado de Hierro	Plasticos	Otros	Total
Peso (Kg)	11.18	0	21.632	1.742	8.333	42.887
Porcentaje (%)	22.0%	0.0%	42.5%	3.4%	16.4%	84.3%
Material	Carton	Poliestireno	Polietileno de Baja Densidad	Polipropileno	Otros	Total
Peso (Kg)	0.22	1.12	0.03	2.7	0	4.07

RUSSIAN

Recyclable Список Анализа Материалов						
Материал	Алюминий	Чугуна	Плита Утюга	Пластмассы	Другие	Итог
Вес (Kg)	11.18	0	21.63	1.742	8.33	42.8887
Процент (%)	22.0%	0.0%	42.5%	3.4%	16.4%	84.3%
Главные Упаковочные материалы						
Материал	Коробка	Полистироль	Полиэтилен Низкой Плотности	Полипропилен	Другие	Итог
Вес (Kg)	0.22	1.12	0.03	2.7	0	4.07





Issued by

 **Hitachi Koki Co., Ltd.**

Shinagawa Intercity Tower A, 15-1, Konan 2-chome,
Minato-ku, Tokyo 108-6020, Japan

611
Code No. C99134971
Printed in Taiwan