



ORIGINAL INSTRUCTIONS
Electric Line Trimmer

RLT1038X



Important!

It is essential that you read the instructions in this manual before operating this machine.

Subject to technical modifications.



GENERAL SAFETY WARNINGS

⚠ WARNING

When using the product, the safety rules must be followed. For your own safety and that of bystanders, please read these instructions before operating the product. Please keep the instructions safe for later use.

⚠ WARNING

The product is not intended for use by persons (including children) with reduced physical, sensory or mental capabilities, or lack of experience and knowledge, unless they have been given supervision or instruction concerning use of the appliance by a person responsible for their safety.

Children should be supervised to ensure that they do not play with the product.

TRAINING

- Never allow children or people unfamiliar with these instructions to operate the product.
- Keep the area clear of all bystanders, children and pets while using the product. Switch off the product if anyone enters the area.
- Never operate the product when you are tired, ill or under the influence of alcohol, drugs or medicine.
- Use the product for cutting grass and light weeds only. Do not use for any other purpose.
- Keep in mind that the operator or user is responsible for accidents or hazards occurring to other people or their property.

ELECTRICAL

- Avoid unintentional starting. Always check that the switch is in the off position before plugging in the product to the power supply. Do not carry a plugged in tool with your finger on the switch.
- Electrical power should be supplied via a residual current device (RCD) with a tripping current of not more than 30 mA.
- Before use, examine the power cord or extension cable for damage. If there are signs of damage, it must be replaced by a qualified service technician.
- Do not use the product if the electric cables are damaged or worn.
- If the power cord or extension cable becomes damaged during use, disconnect from the power supply immediately. Do not touch the electric cables until the power supply has been disconnected. Do not repair. Replace only with identical electric cable.
- Extension cable must be uncoiled during use. Coiled cables can overheat.
- Make sure the power cord is positioned so that it will not

be stepped on, tripped over or otherwise subjected to damage or stress.

- Never carry the product by the power cord.
- Never pull by the power cord to disconnect from the power supply.
- Keep the power cord away from heat, oil and sharp edges.
- Make sure voltage is correct for the product. A nameplate on the product indicates the unit's voltage. Never connect the product to an AC voltage that differs from this voltage.
- Make sure the switch is in the off position before disconnecting from power supply.
- For storage, always disconnect from power supply and wind cable.

PREPARATION

- Always wear protective non-slip footwear and long trousers.
- Before use, check that there are no damaged parts. A defective switch or any part that is damaged should be properly repaired or replaced by an authorized service facility.
- Consider the environment in which you are working. Keep the working area free from wires, sticks, stones and debris.
- Make sure the head attachment is properly installed and securely fastened.
- Make sure all guards, deflectors and handles are properly and securely attached.

OPERATION

- To avoid using the product in bad weather especially when there is a risk of lightning.
- Use the product in daylight or good artificial light.
- Avoid using on wet grass.
- Keep proper footing and balance at all times.
- Do not walk backwards when using the product.
- Walk, never run.
- Keep the head attachment below waist level.
- Do not cut on surfaces other than grass on ground.
- Never operate the product with damaged guards or without guards in place.
- Never fit a metal replacement line.
- Keep hands and feet away from the cutting means at all times and especially when switching on the product.
- Never pick up or carry the trimmer by the electric cable.
- Beware of objects thrown by the cutting line.
- Switch off and disconnect from the power supply before:
 - servicing
 - leaving the product unattended
 - cleaning the product
 - changing accessories



- checking for any damage after hitting an object
- checking for any damage if the product starts to vibrate abnormally
- performing maintenance
- Wear protective glasses or goggles.
- Take care against injury from any device fitted for trimming the filament line length.
- Disconnect the product from the mains before checking, cleaning or working on the product and when it is not in use.
- Always ensure that ventilation openings are kept clear of debris.

MAINTENANCE

- After use, disconnect the machine from the mains and check for damage.
- Use only manufacturer's recommended replacement parts and accessories.
- After extending new cutter line, always return the product to its normal operating position before switching on.
- After each use, clean with a soft dry cloth.
- Check the product regularly to make sure that it will operate properly and perform the intended function. Any part that is damaged should be properly repaired or replaced by an authorized service centre.
- When not in use, the product should be stored in a cool dry place and locked up out of the reach of children. Do not store outdoors.

INTENDED USE

- The product is designed for cutting grass and light weeds only in private garden areas.
- The product is not allowed to be used in public gardens, parks, sports centers or at roadsides as well as for agricultural and forestry use.
- The product is not allowed to be used for cutting or chopping hedges, shrubs, bushes, flowers and compost.

The power head is compatible with the following Ryobi EXPAND IT attachments:

- EXPAND IT Pole Pruner Attachment
- EXPAND IT Blower Attachment
- EXPAND IT Edger Attachment
- EXPAND IT Articulating Hedge Trimmer

All other attachment products capable of being fitted to this unit are not recommended, and if used, warranty will be void.

OVERLOAD PROTECTION

The product has an overload protection device that is activated when overheating or a current spike occurs, automatically shutting down power within the product. To resume operation, disconnect the product from the power

supply, wait for about 15 minutes, and re-connect the product to the power supply.

ENVIRONMENTAL PROTECTION



Recycle raw materials instead of disposing of as waste. The product, accessories and packaging should be sorted for environmental-friendly recycling.

SYMBOLS



Please read the instructions carefully before using the product.



Safety alert.



Wear eye protection.



Avoid using in wet or damp conditions.



Beware of thrown or flying objects. Keep all bystanders at least 15 m away.



Remove plug from the mains immediately if cable is damaged or cut.



Beware of thrown or flying objects. Keep bystanders a safe distance away from the product.



Double insulation



Waste electrical products should not be disposed of with household waste. Please recycle where facilities exist. Check with your Local Authority or retailer for recycling advice.



N197

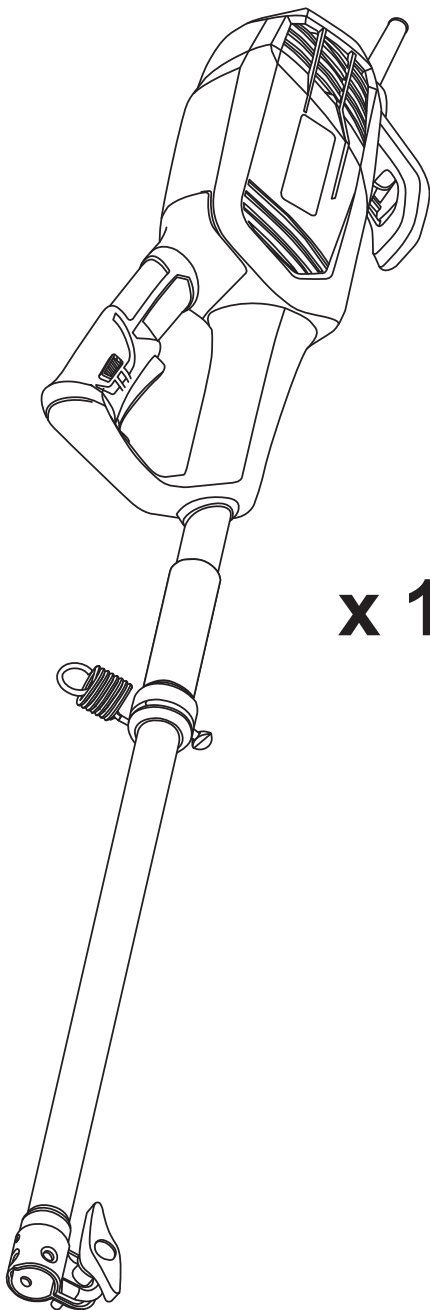
Regulatory Compliance Mark (RCM). Product meets applicable regulatory requirements.



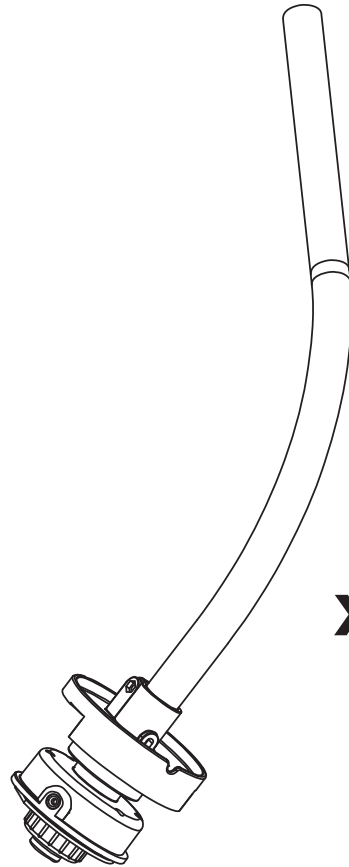
Guaranteed sound power level.



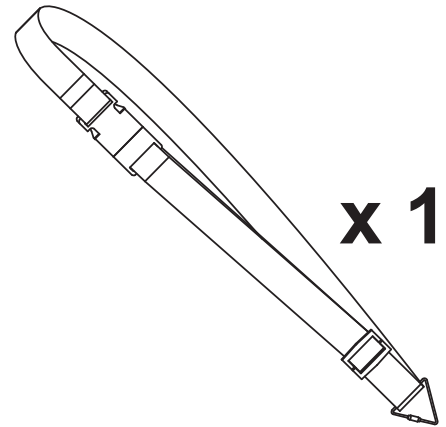
Unpacking



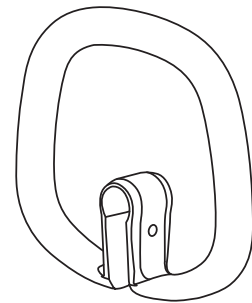
x 1



x 1



x 1



x 1



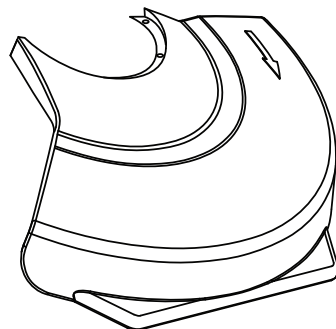
x 1



x 1



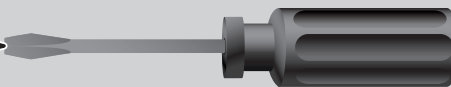
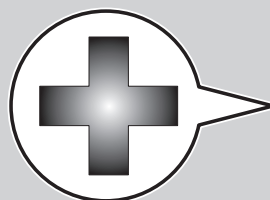
x 1



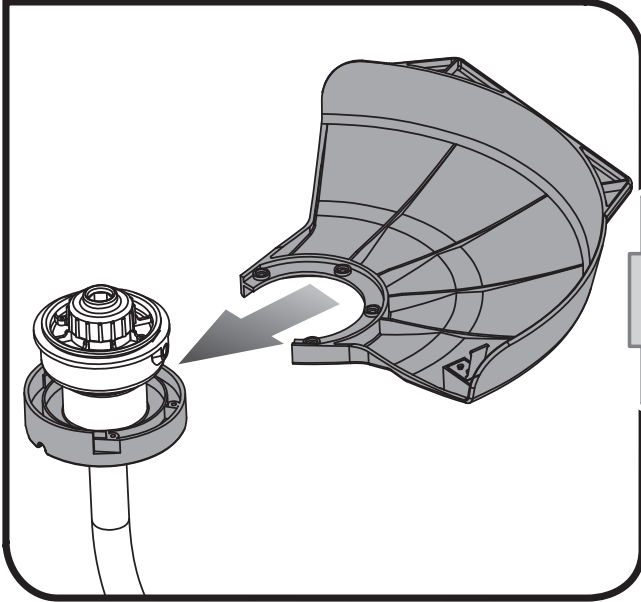
x 1



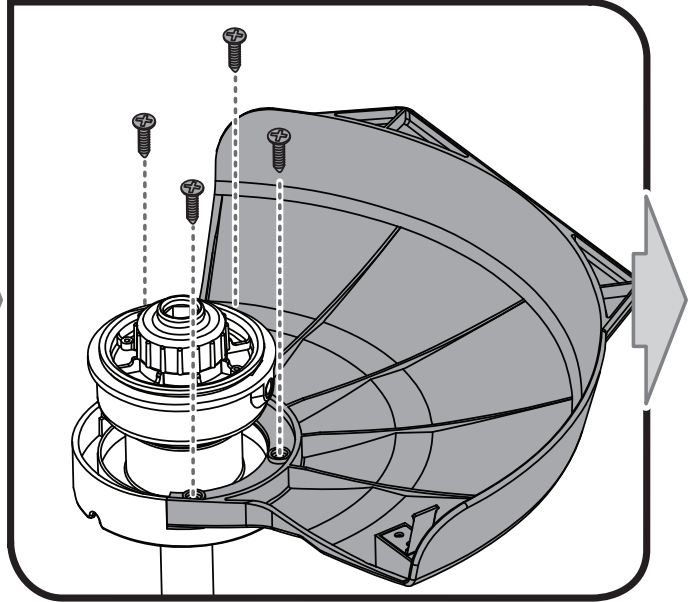
x 4



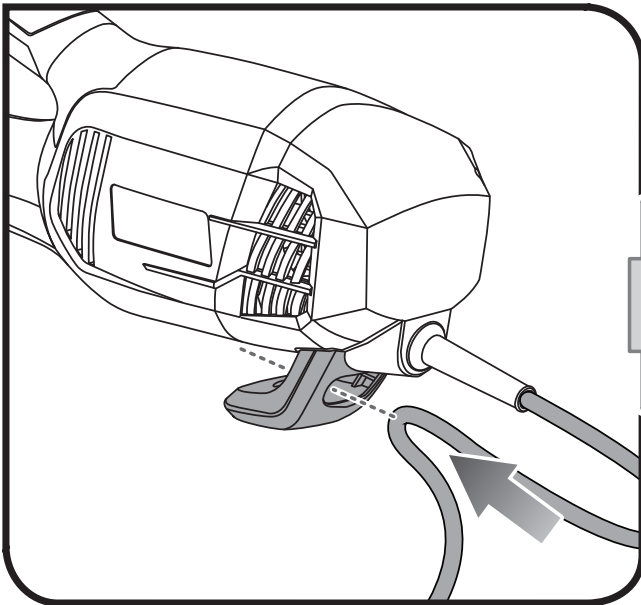
1



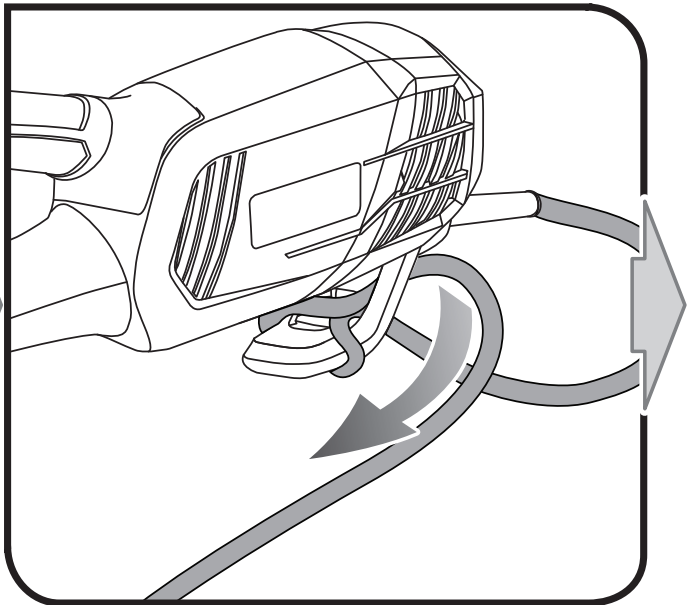
2

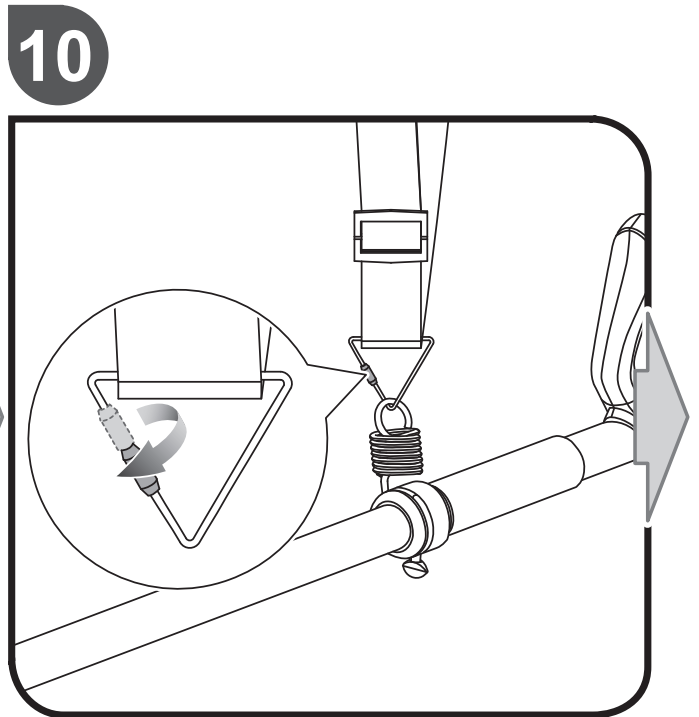
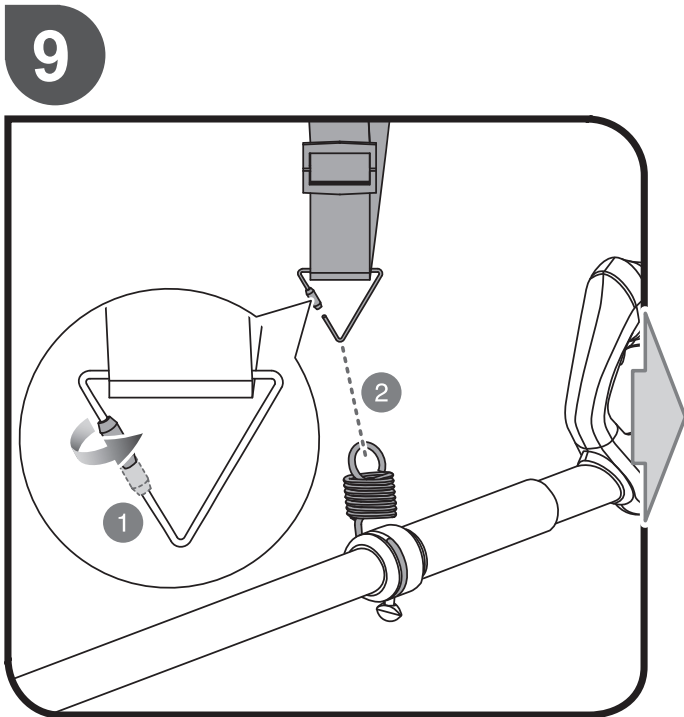
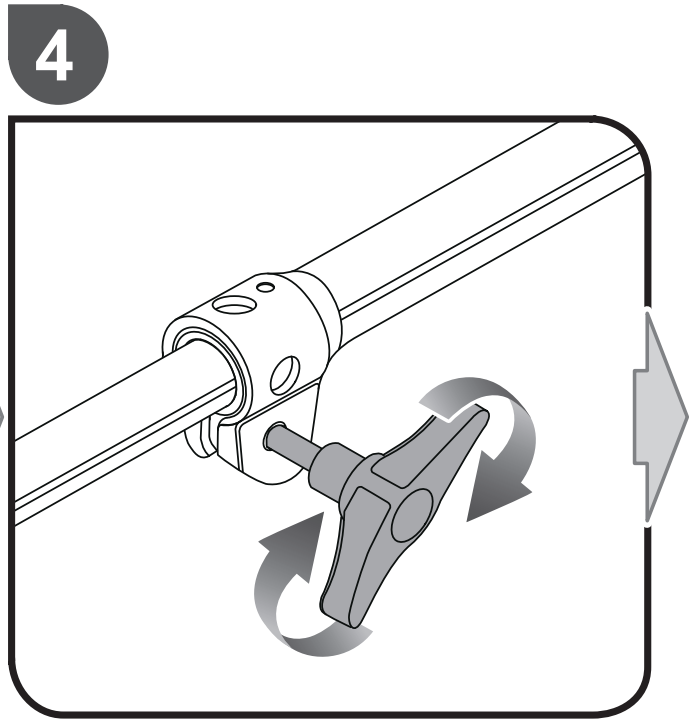
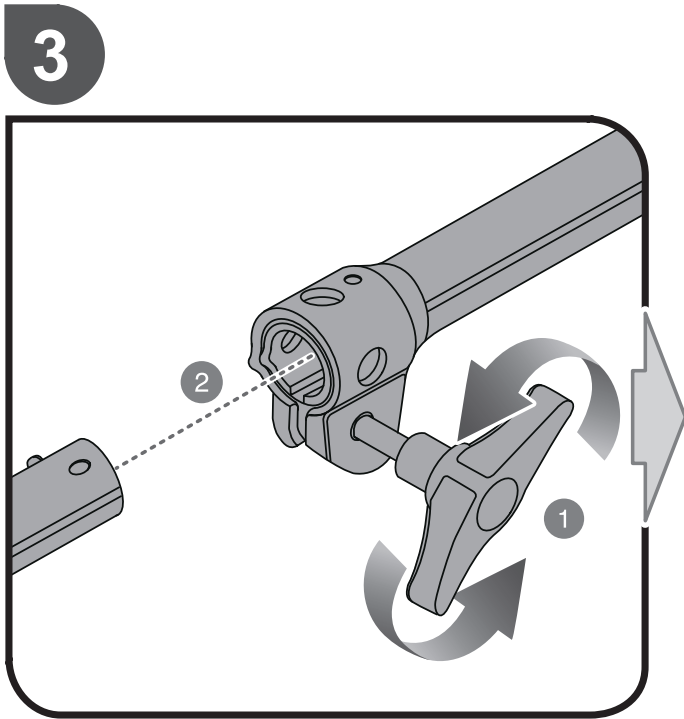


7

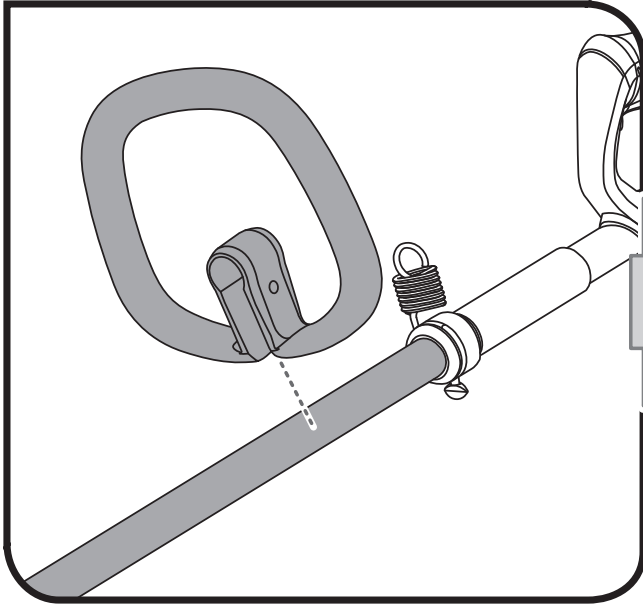


8

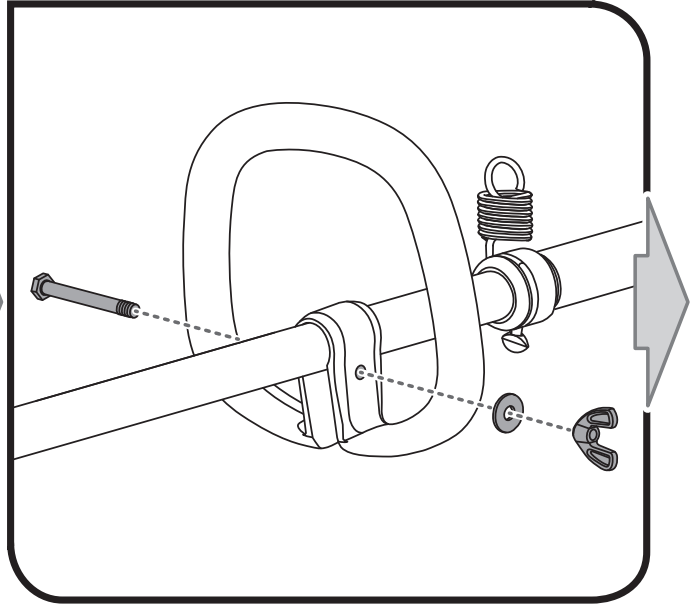




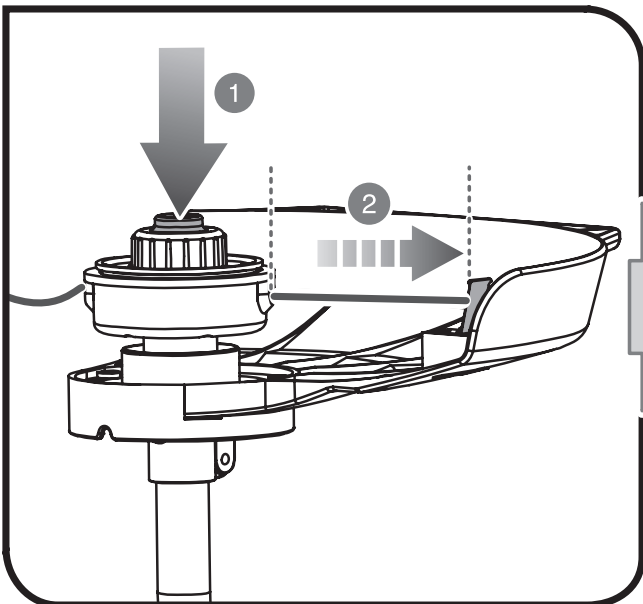
5



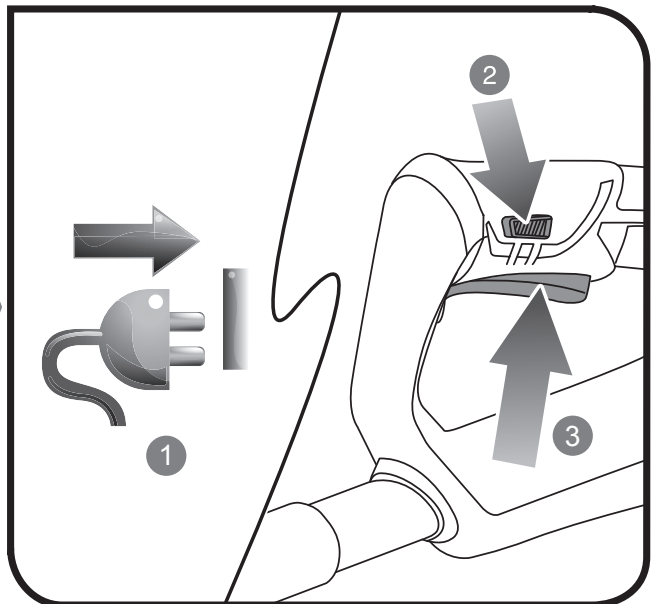
6



11

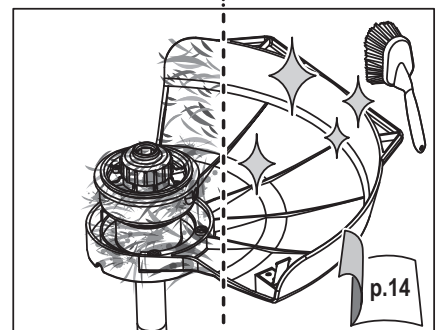
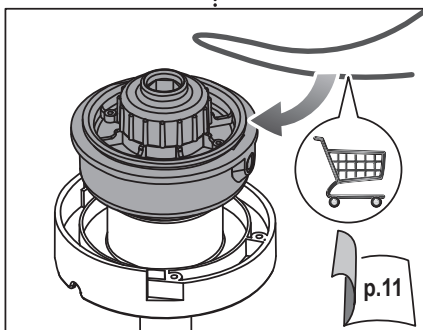
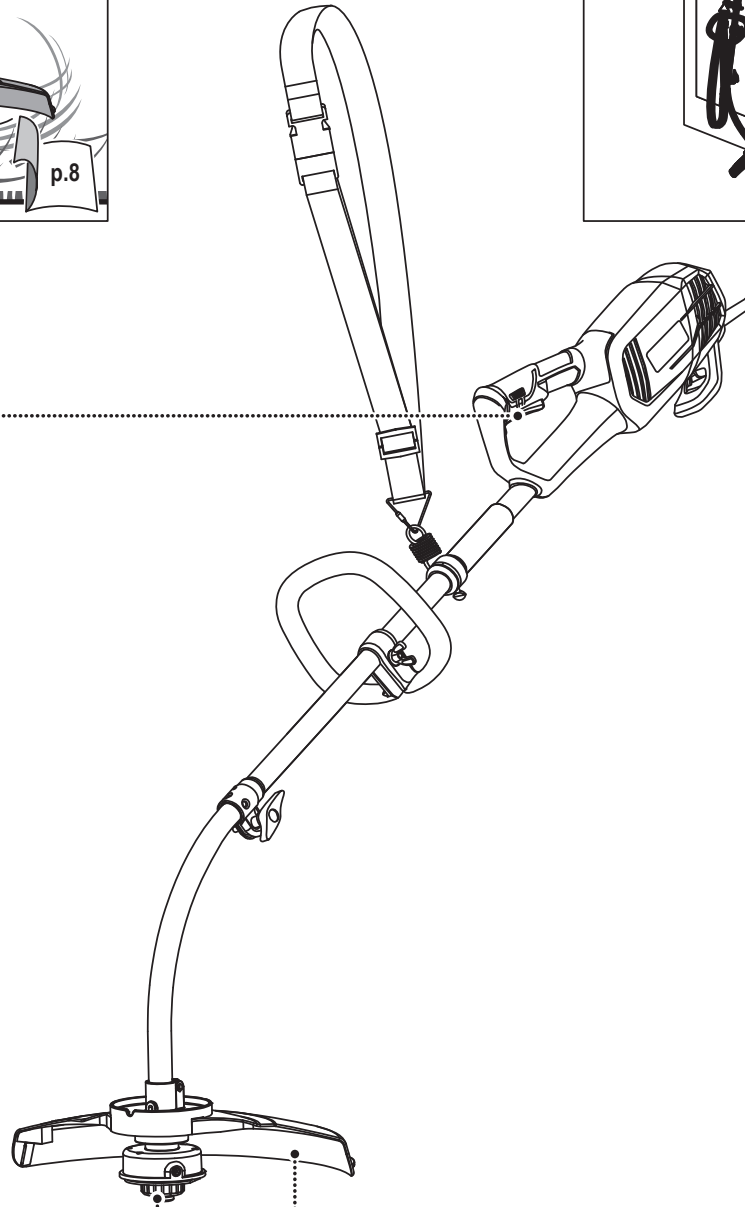
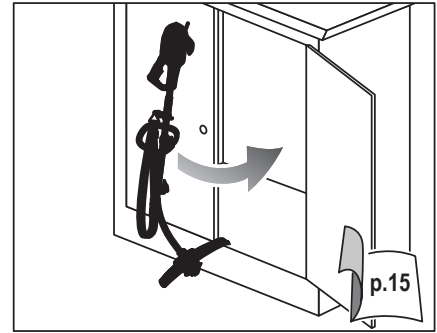
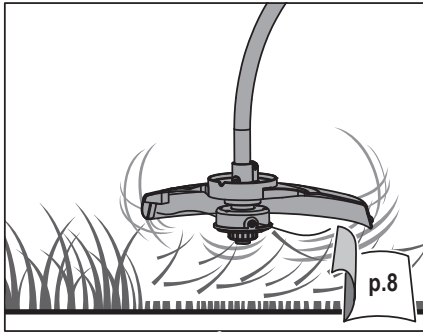


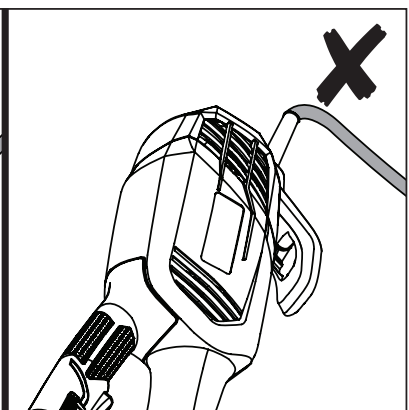
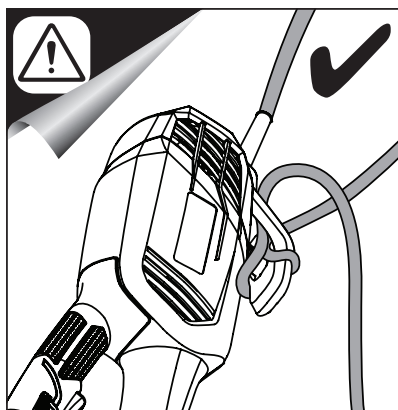
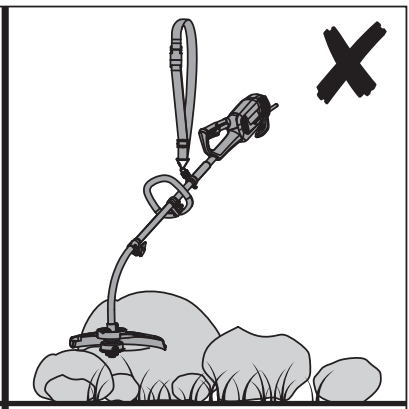
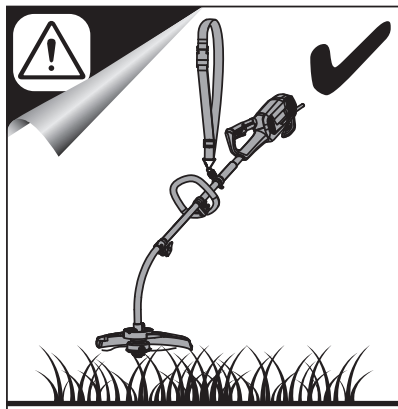
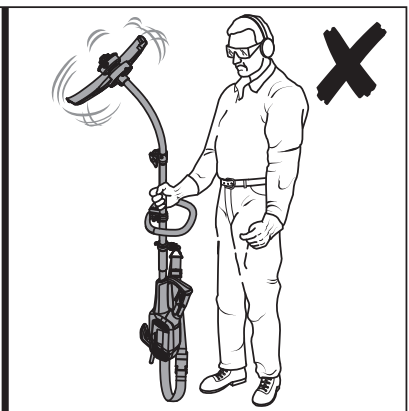
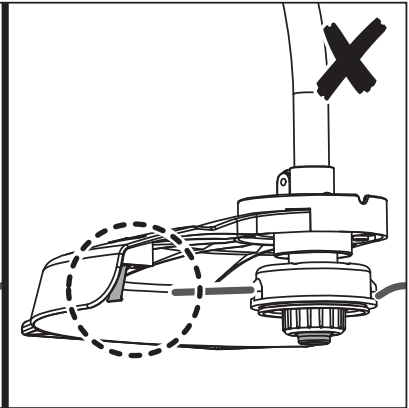
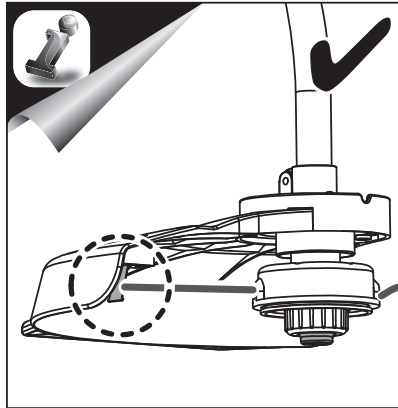
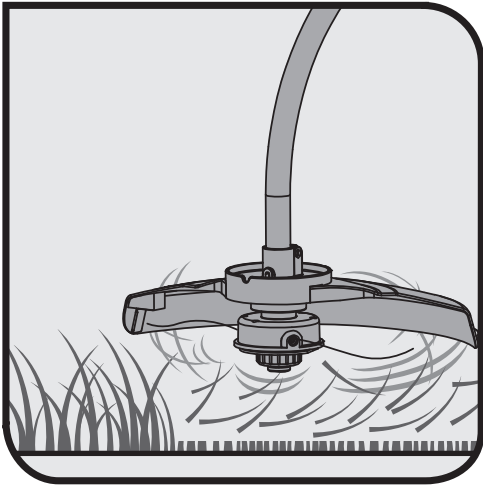
12

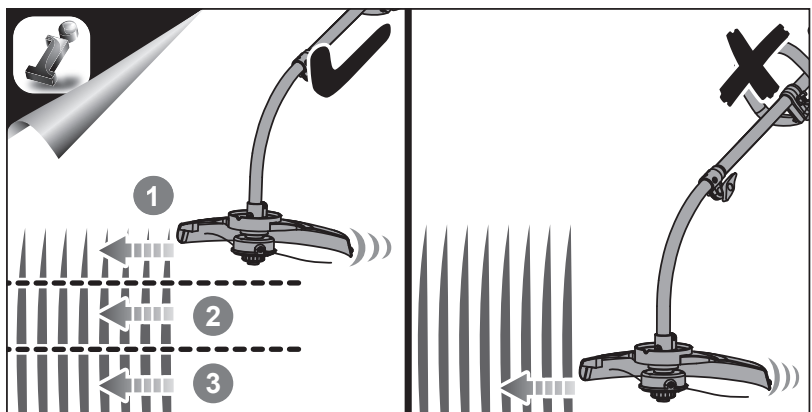
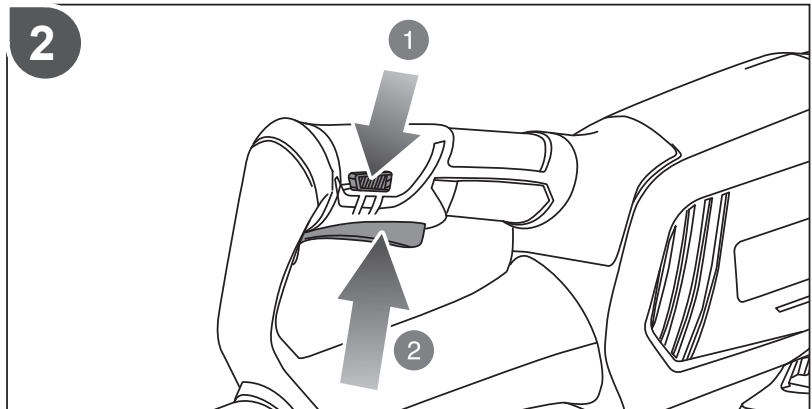
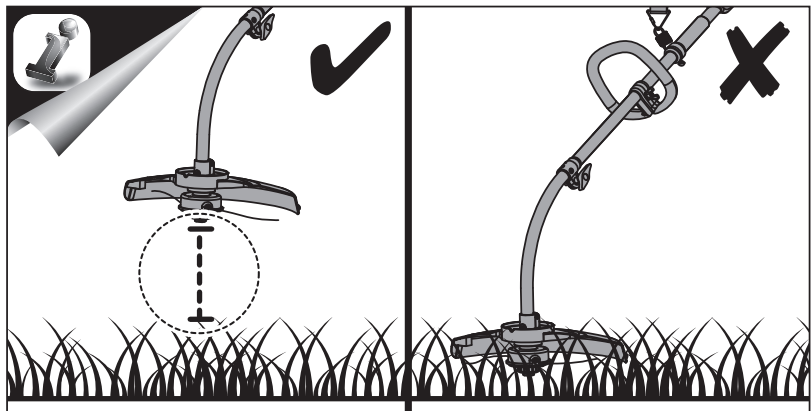
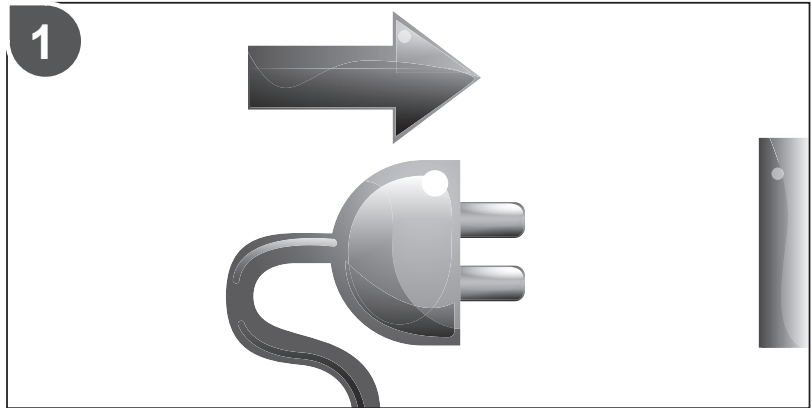


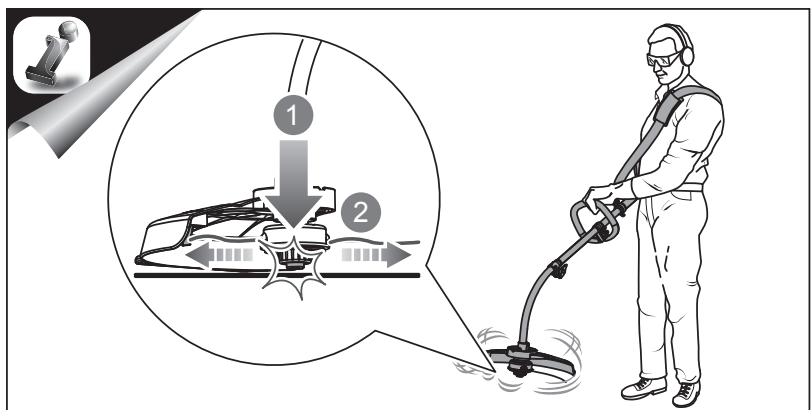
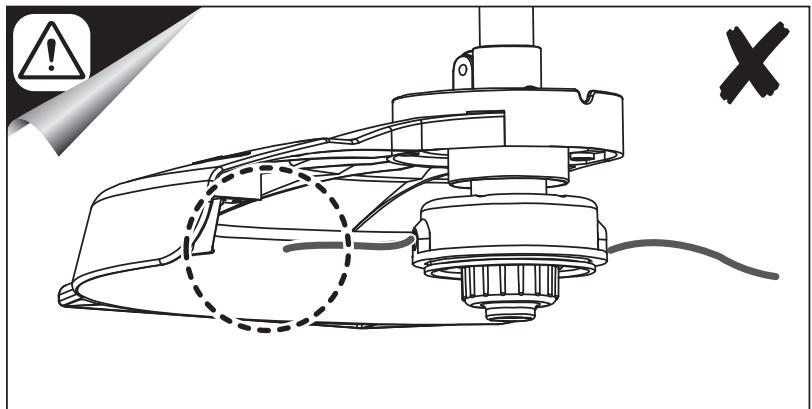
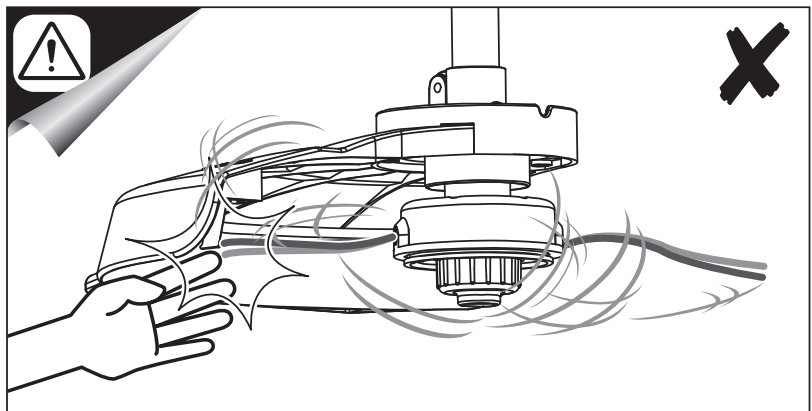
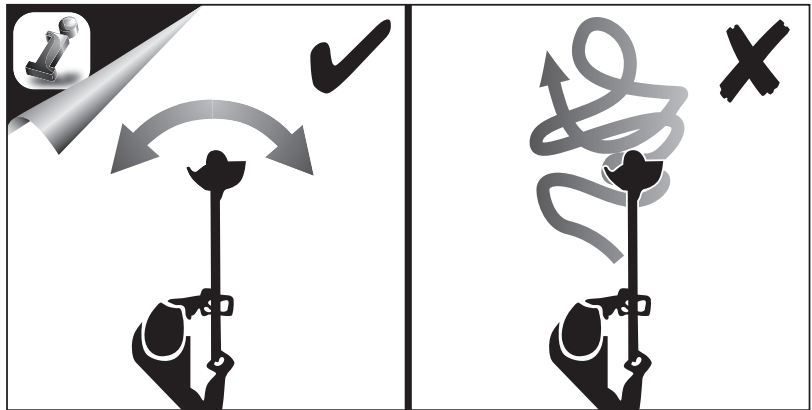


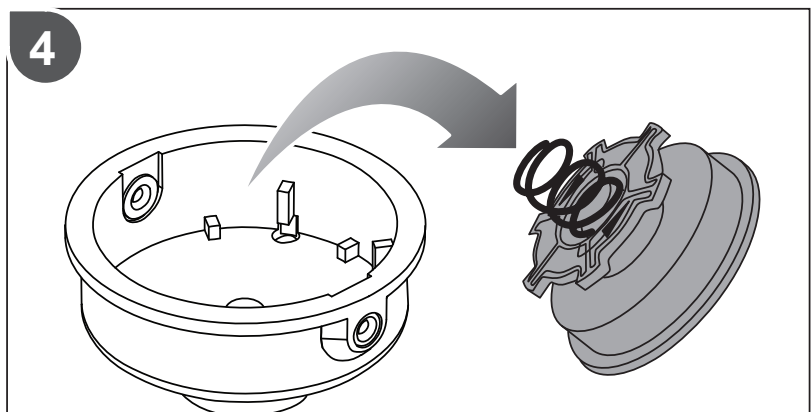
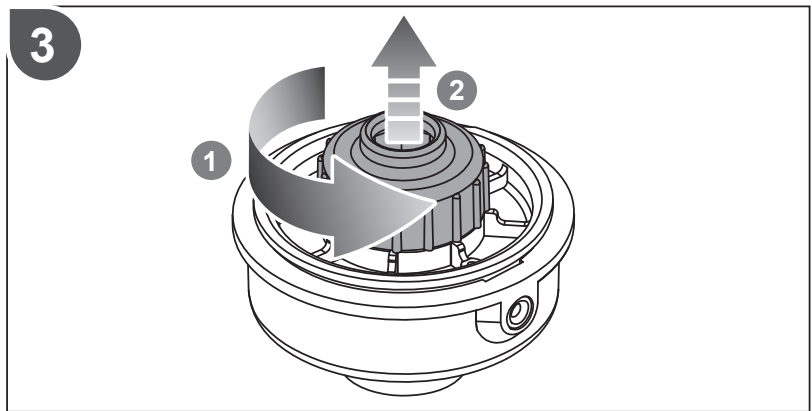
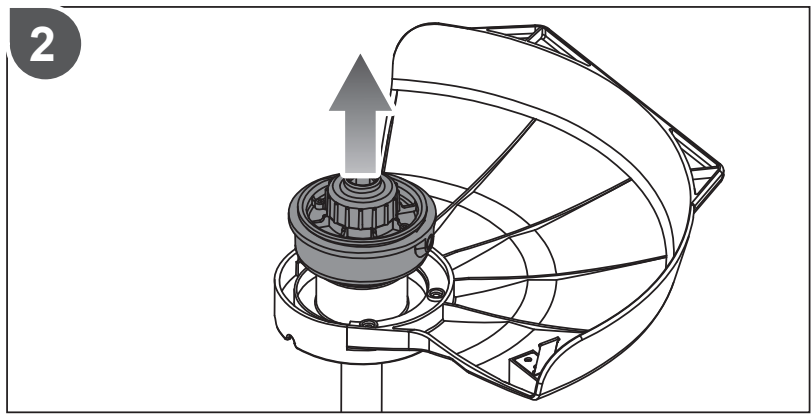
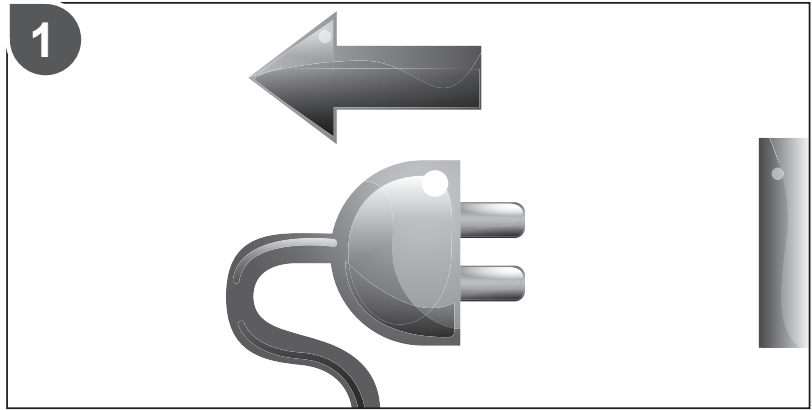
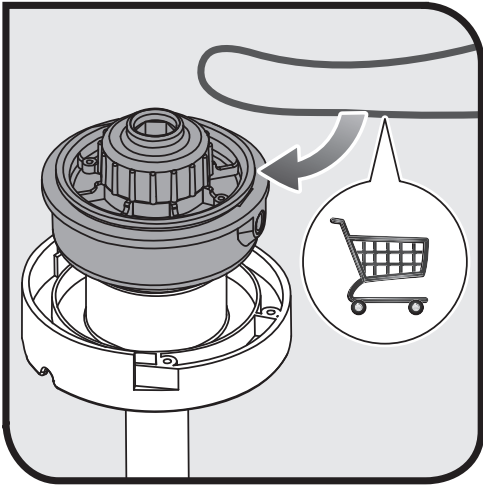


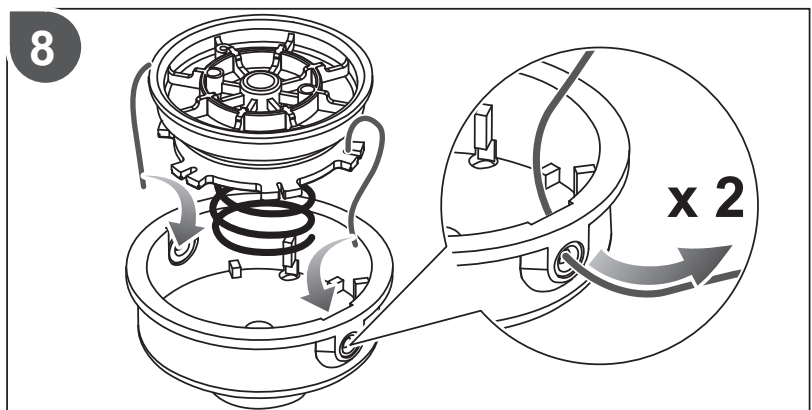
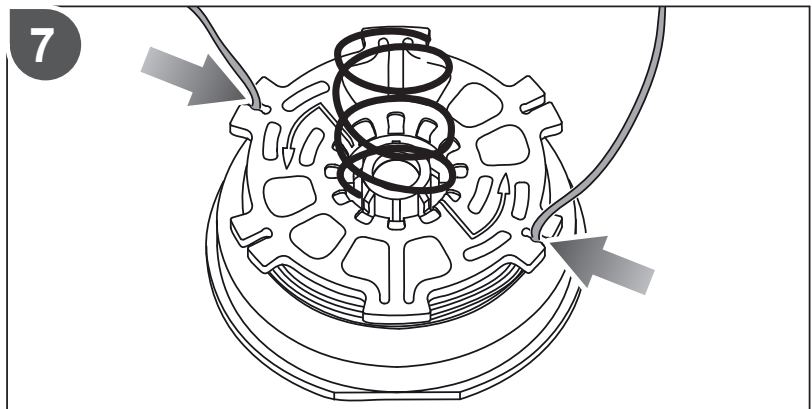
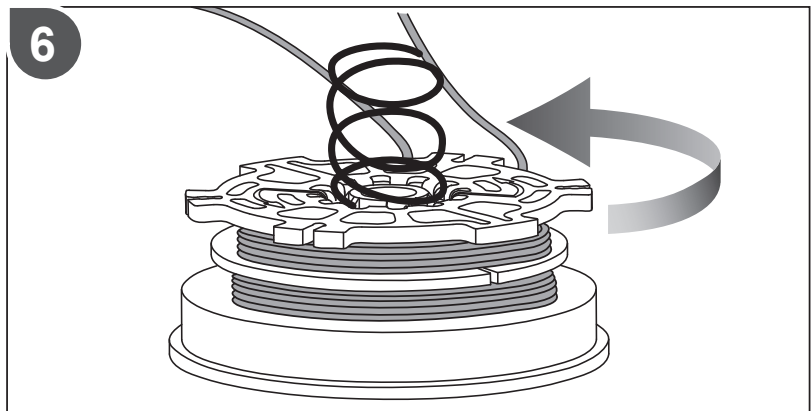
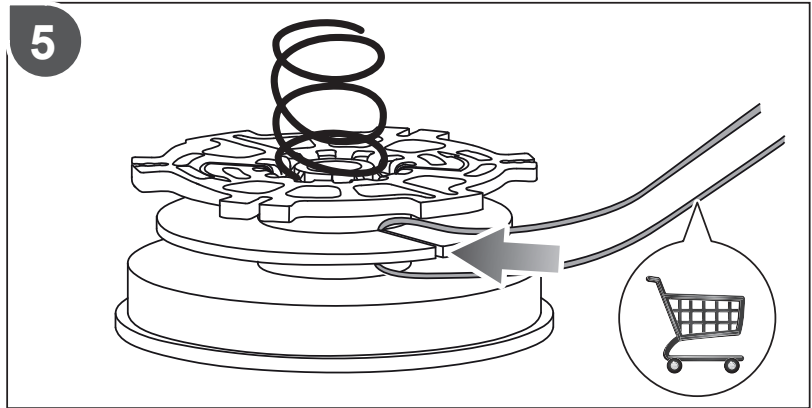


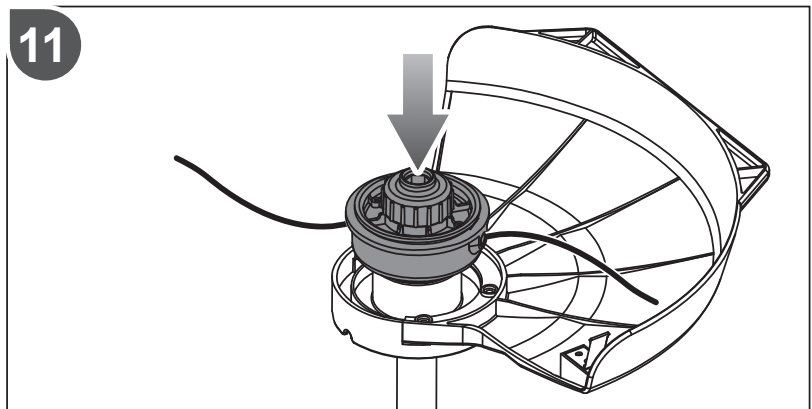
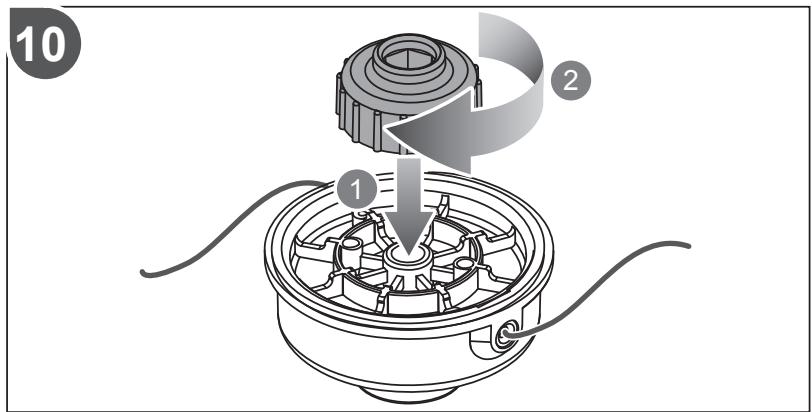
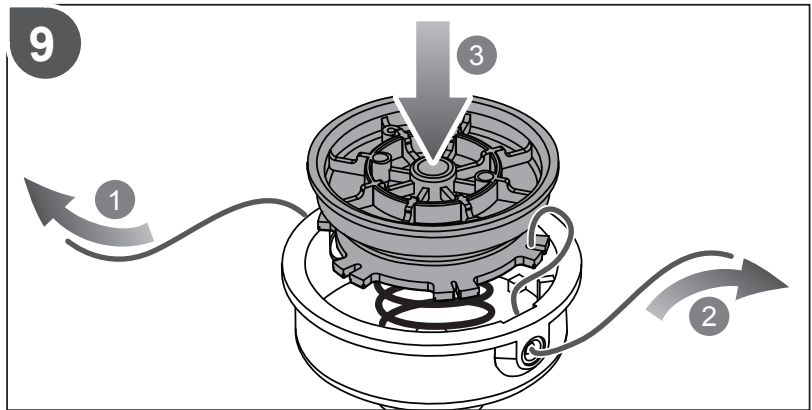


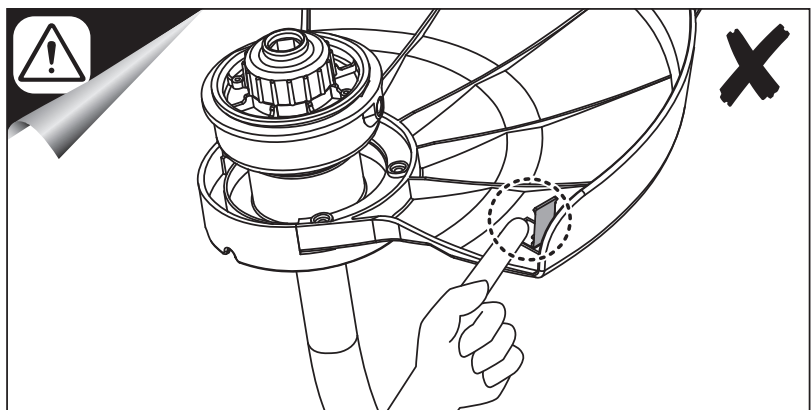
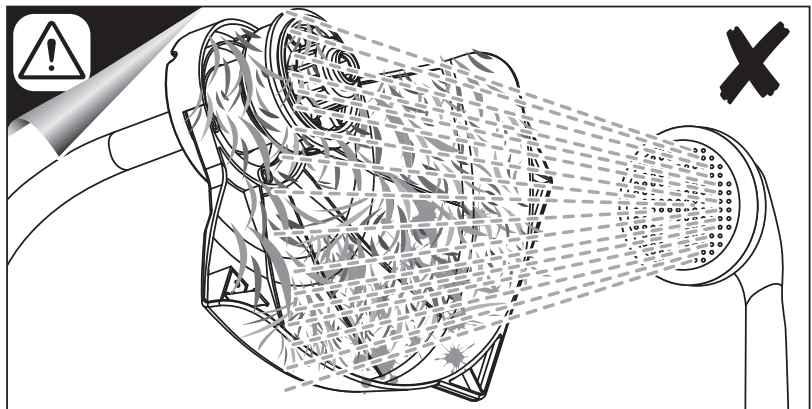
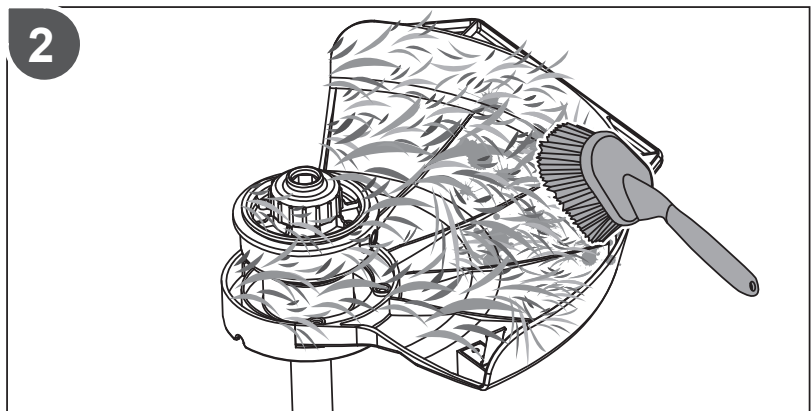
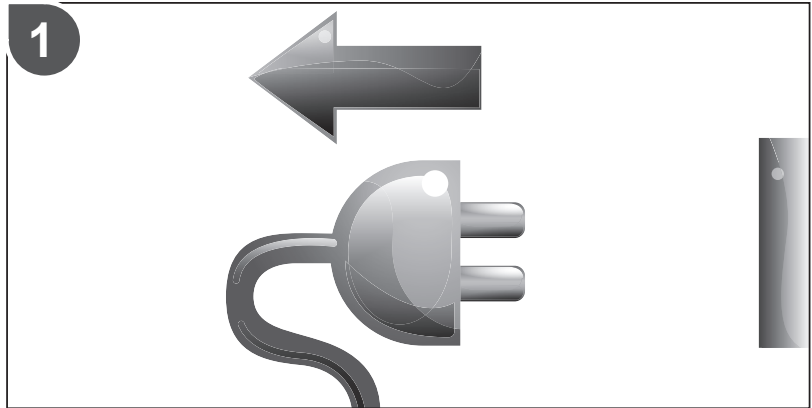
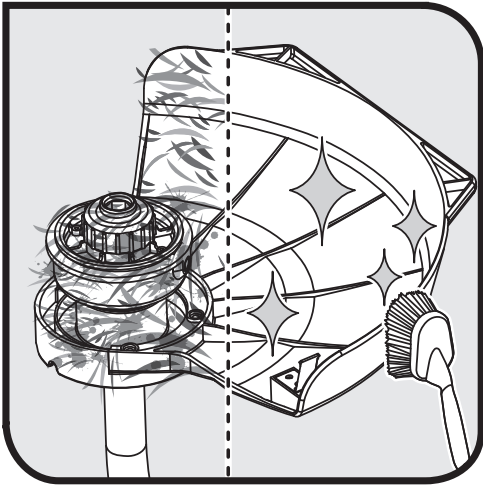


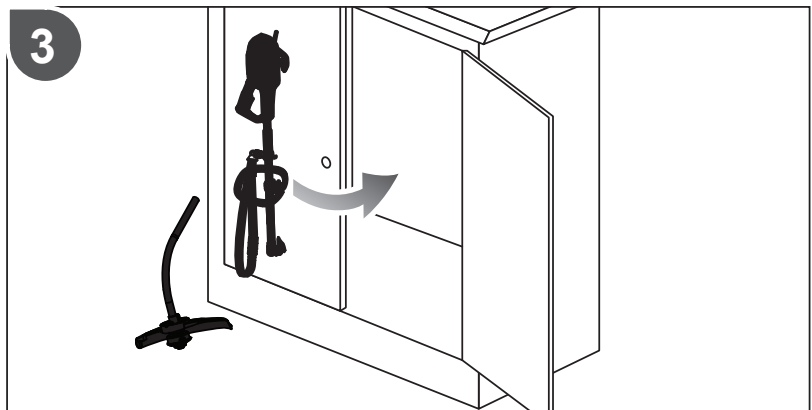
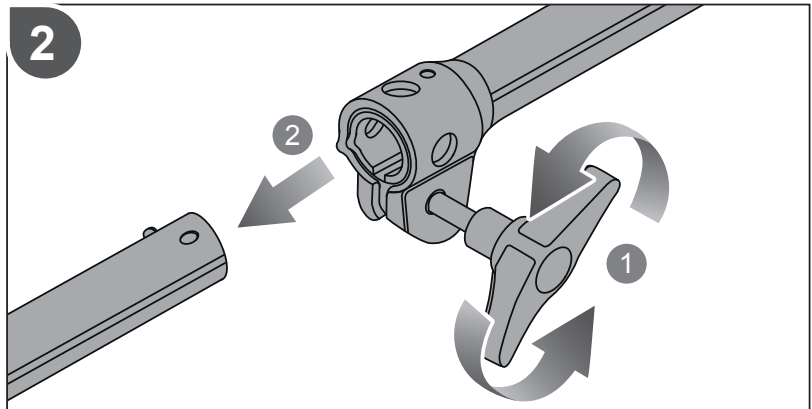
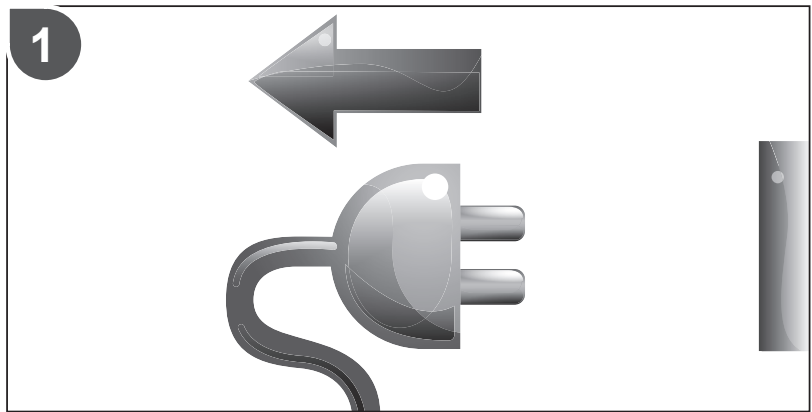
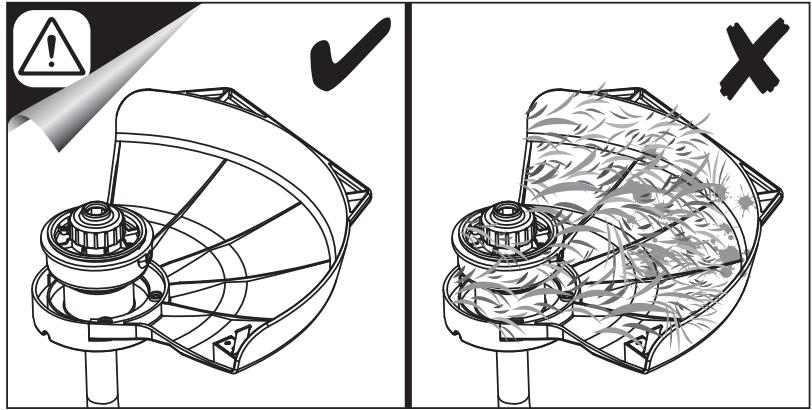
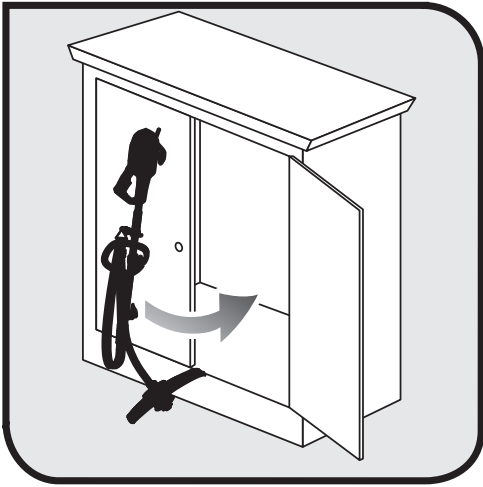












PRODUCT SPECIFICATIONS

| | |
|-------------------------------|---|
| Rated power | 1,000 W |
| Rated voltage | 230/240 V ~ 50 Hz |
| No-load speed | 7,300 min ⁻¹ |
| Cutting capacity | 380 mm |
| Cutting line diameter | 2.0 mm |
| Vibration | 3.33 m/s ² , K = 1.5 m/s ² |
| Measured sound power level | L_{WA} : 101.6 dB(A) K_{WA} : 1.5 dB(A) |
| Measured sound pressure level | L_{PA} : 90.3 dB(A); K_{PA} : 3.0 dB(A) |
| Weight | 4.8 kg |

COMPATIBLE ATTACHMENTS

EXPAND IT Pole Pruner Attachment

EXPAND IT Blower Attachment

EXPAND IT Edger Attachment

EXPAND IT Articulating Hedge Trimmer Attachment

All other attachment products capable of being fitted to this unit are not recommended, and if used, warranty will be void.





Techtronic Industries (Australia) Pty. Ltd.
Level 1, 660 Doncaster Road
Doncaster, VIC 3108, Australia

Techtronic Industries New Zealand Ltd.
27 Clemow Drive
Mt. Wellington, Auckland 1060, New Zealand